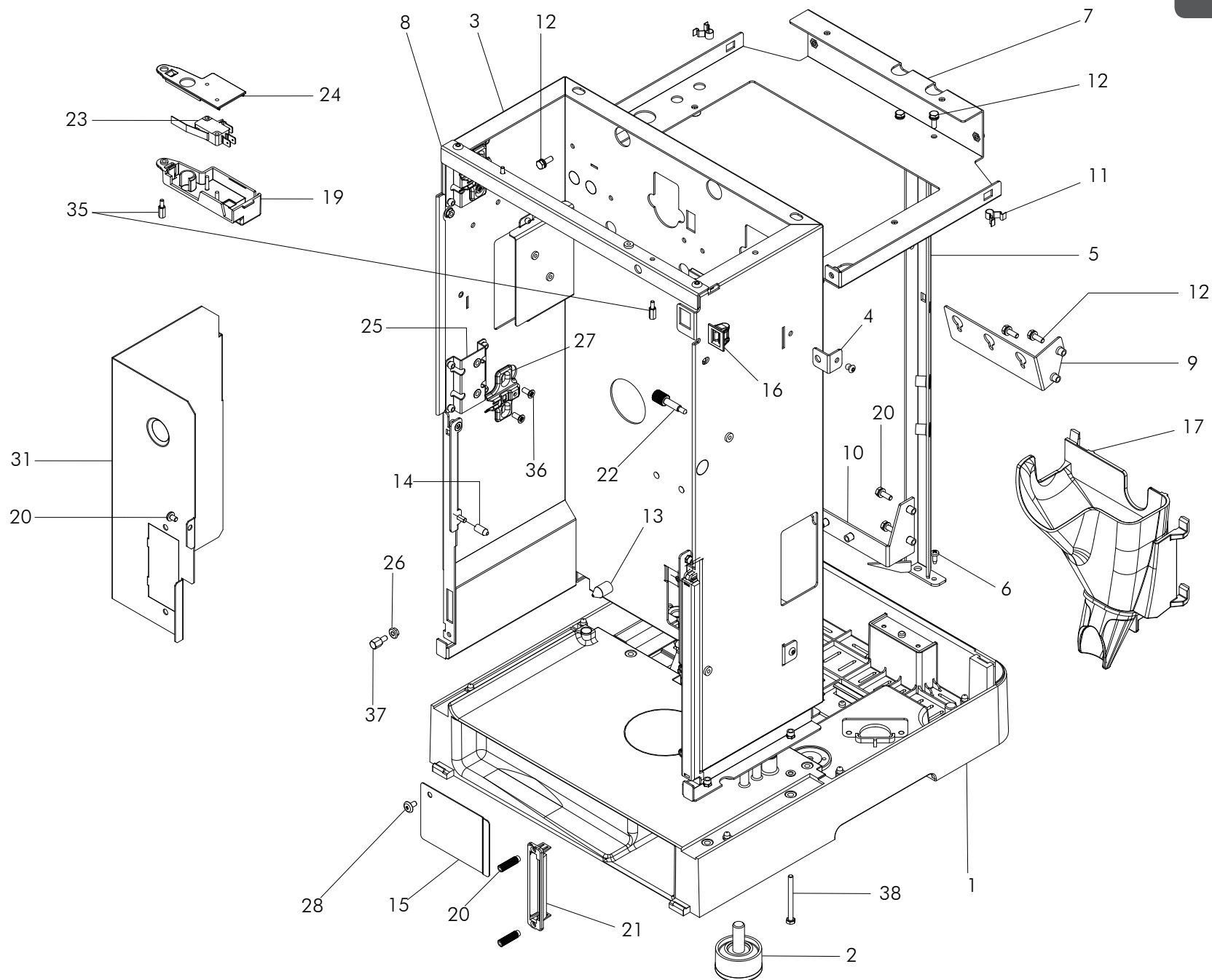


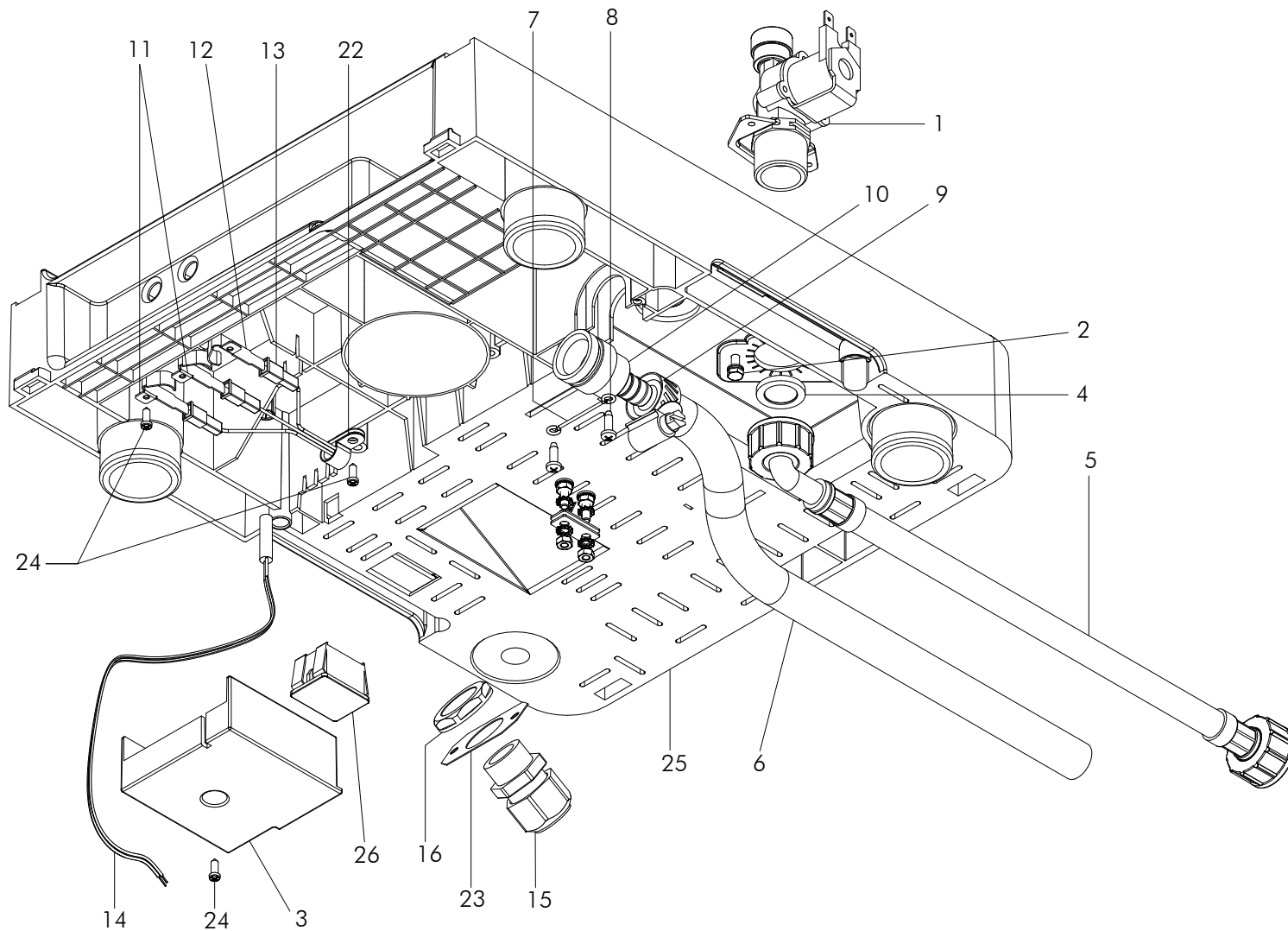
DRIVE 6000

Parti di ricambio - Spare parts - Pieces detachees - Ersatzteilekatalog

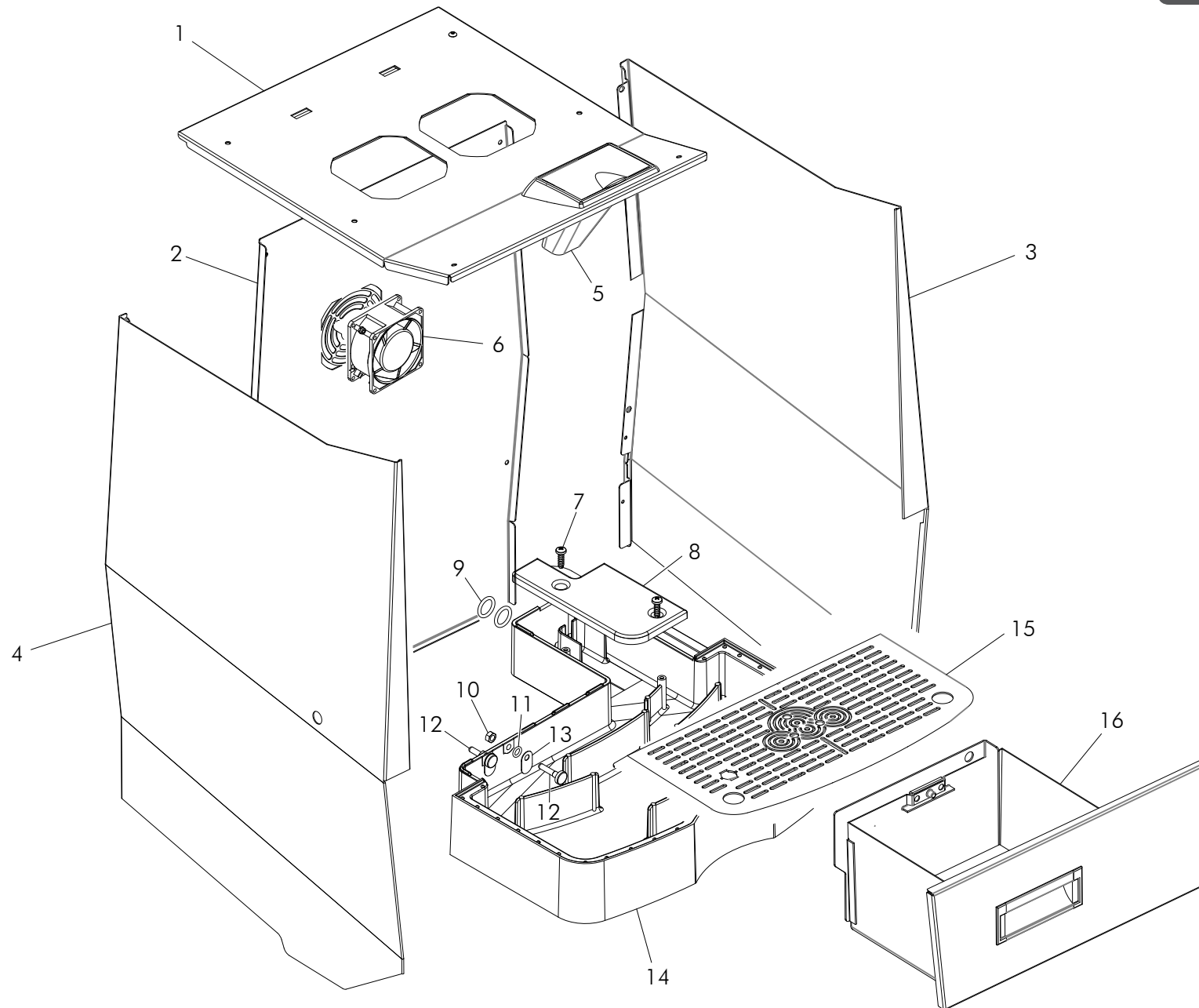
Code	Description	Page	Rev.	Date
D6-01	Telaio - Frame - Cadre - Frame	2	01	07/2018
D6-02	Basamento - Base - Base - Basis	4	00	03/2017
D6-03	Carrozzeria Standard - Body parts Standard Carrosserie Standard - Karosserie Standard	6	01	07/2018
D6-04	Carrozzeria Cioccolattiera - Body parts Chocolate Carrosserie Chocolat - Karosserie Schokolade	8	01	07/2018
D6-05	Sportello anteriore - Front panel - Panneau frontal - Stirntafel	10	01	07/2019
D6-21	Beccuccio caffè e Lance acqua / vapore - Coffee spout and Tube water / steam Bec cafe et Tuyau eau / vapeur - Kaffee ausguss und Rohr Wasser / Dampf	12	00	03/2017
D6-22	Lancia Autosteamer - Tube Autosteamer - Tuyau Autosteamer - Rohr Autosteamer	15	00	03/2017
D6-31	Gruppo - Group - Groupe - Gruppe	17	00	03/2017
D6-41	Caldaia Servizi - Service Boiler - Chaudiere de Services - Kesselleistungen	20	00	03/2017
D6-42	Caldaia Caffè - Coffee Boiler - Chaudiere de café - Kaffeekoher	22	00	03/2017
D6-61	Impianto idraulico Standard - Hydraulic circuit Standard Circuit hydraulique Standard - Wasser anlage Standard	24	00	03/2017
D6-62	Impianto idraulico Cioccolattiera - Hydraulic circuit Chocolate Circuit hydraulique Chocolat - Wasser anlage Schokolade	27	00	03/2017
D6-63	Cappuccinatore - Cappuccino maker - Dispositif pour Cappuccino - Cappuccino Zubereiter	29	00	03/2017
D6-64	Tramogge caffè - Coffee grinder hopper - Tremie - Trichter Kaffeemuehle	31	00	03/2017
D6-65	Macinino - Coffee grinder - Moulin doseur - Kaffeemuhle	33	00	03/2017
D6-71	Impianto elettrico - Electrical system - Circuit électrique - Strom anlage	35	00	03/2017
D6-72	Cablaggi sportello anteriore - Cable front panel - Cable panneau frontal - Kabel Stirntafel	37	00	03/2017
D6-81	Motopompa - Motor pump - Motopompe - Motor pumpe	39	00	03/2017
D6-91	Service KIT	41	00	07/2017



Pos	Code	Denominazione - IT -	Denomination - EN -	Denomination - FR -	Denomination - DE -
1	3MH3700812	BASAMENTO 37.00812	BASE	BASE	BASIS
2	3MH3700411	PIEDINO H77 37.00411	FOOT H77	PIED H77	BEIN H77
2	3MH3700455	PIEDINO H45 37.00455	FOOT H45	PIED H45	BEIN H45
2	3MH3700456	PIEDINO H22 37.00456	FOOT H22	PIED H22	BEIN H22
3	3MH1105332	TELAIO FRONTALE 11.05332	FRONT FRAME	CHÂSSIS AVANT	FRONTRAHMEN
4	3MH1101966	SUPPORTO GRUPPO 11.01966	GROUP SUPPORT	SUPPORT GROUPE	HALTERGRUPPE
5	3MH1105338	MONTANTE POSTERIORE 11.05338	REAR PILLAR	PILIER DE L'ARRIÈRE	HINTERE SÄULE
6	3MH9100243	VITE AUTOFILETTANTE D.3,5X16 91.00243	SCREW D.3, 5 X 16	VIS D. 3, 5 X 16	SCHRAUBE D. 3, 5 X 16
7	3MH1105341	PIASTRA SUPERIORE 11.05341	TOP PLATE	PLAQUE SUPÉRIEURE	OBERE PLATTE
8	3MH1105184	TRAVERSINO 11.05184	STUD	GOUJON	GESTÜT
9	3MH1105340	SUPPORTO ELETTROVALVOLA 11.05340	SOLENOID VALVE SUPPORT	SUPPORT VALVE SOLÉNOÏDE	SOLENOID VALVE SUPPORT
10	3MH1105339	SUPPORTO CALDAIA 11.05339	SUPPORT BOILER	SUPPORT DE CHAUDIÈRE	KESSEL-UNTERSTÜTZUNG
11	3MH9500970	MOLLA ATTACCO FIANCO 95.00970	SPRING	RESSORT	FRÜHLING
12	3MH9105012	VITE INOX TE + RONDELLE M4X12 91.05012	SCREW + WASHERS M4X12	VIS + RONDELLES M4X12	SCHRAUBE + UNTERLEGSCHLEIBEN M4X12
13	3MH2201203	PERNO CASSETTO FONDI 22.01203	PIN DRAWER	BROCHE DE TIROIR	PIN-SCHUBLADE
14	3MH2201267	PERNO CENTRATURA MACININO 22.01267	PIN GRINDER	BROCHE MEULEUSE	PIN-SCHLEIFER
15	3MH1105342	CARTER MOTOPOMPA 11.05342	CARTER PUMP	CARTER POMPE	CARTER PUMPE
16	3MH9501839	FERMO SPORTELLO 95.01839	DOOR LATCH	VERROU DE PORTE	TÜRVERRIEGELUNG
17	3MH3705114	SCIVOLO CAFFÈ	SLIDE COFFEE	DIAPOSITIVE CAFE	FOLIE KAFFEE
19	3MH3705239	CARTER MICRO INTERRUPTORE 37.05239	CARTER MICRO SWITCH	CARTER MICRO INTERRUPTEUR	CARTER MIKROSCHALTER
20	3MH2201310	PERNO FISSAGGIO CORNICE CONNETTORE	PIN CONNECTOR	BROCHE CONNECTOR	PIN CONNECTOR
21	3MH9501720	PASSAPARETE PER CONNETTORE 12 VIE	CONNECTOR PASSAGE	PASSAGE CONNECTEUR	DURCHGANG-WAND
22	3MH1200045	PERNO FISSAGGIO 12.00045	FIXING PIN	BROCHE DE FIXATION	PIN
23	3MH9605293	MICRO INTERRUPTORE SPORTELLO 96.05293	DOOR MICRO SWITCH	MICRO-INTERRUPTEUR DE PORTE	TÜR-MIKROSCHALTER
24	3MH3705240	COPERCHIO CARTER 37.05240	CARTER COVER	COUVERCLE DE CARTER	CARTER ABDECKUNG
25	3MH1102229	SQUADRETTA CERNIERA SPORTELLO 11.02229	DOOR HINGE BRACKET	SUPPORT DE CHARNIÈRE DE PORTE	TÜR-SCHARNIER-HALTERUNG
26	23023001	DADO M4	NUT M4	ECROU M4	MUTTER M4
27	3MH9501887	BASE CERNIERA 95.01887	HINGE BASE	BASE DE LA CHARNIÈRE	SCHARNIER BASIS
28	3MH9100274	VITE INOX TC CROCE M4X6 91.00274	SCREW M4X6	VIS M4X6	SCHRAUBE M4X6
31	3MH1105057	CARTER GRUPPO 11.05057	CARTER GROUP	CARTER GROUPE	CARTER-GRUPPE
35	3MH9505179	DISTANZIALE M3/M4 95.05179	SPACER M3/M4	ENTRETOISE M3/M4	ABSTANDHALTER M3/M4
36	3MH9100188	VITE AUTOFILETTANTE ZN 3.5X16 91.00188	TAPPING SCREW ZN 3.5 SLOT	VIS DE TAPÉMENT ZN 3.5 SLOT	GEWINDESCHNEIDEN SCHRAUBE ZN 3.5 SLOT
37	3MH1205004	COLONNINA 12.05004	COLUMN	COLONNE	SPALTE
38	3MH9105013	VITE TE + ROSETTA M4X45 91.05013	SCREW + WASHER M4X45	VIS + RONDELLE M4X45	SCHRAUBE + UNTERLEGSCHLEIBE M4X45

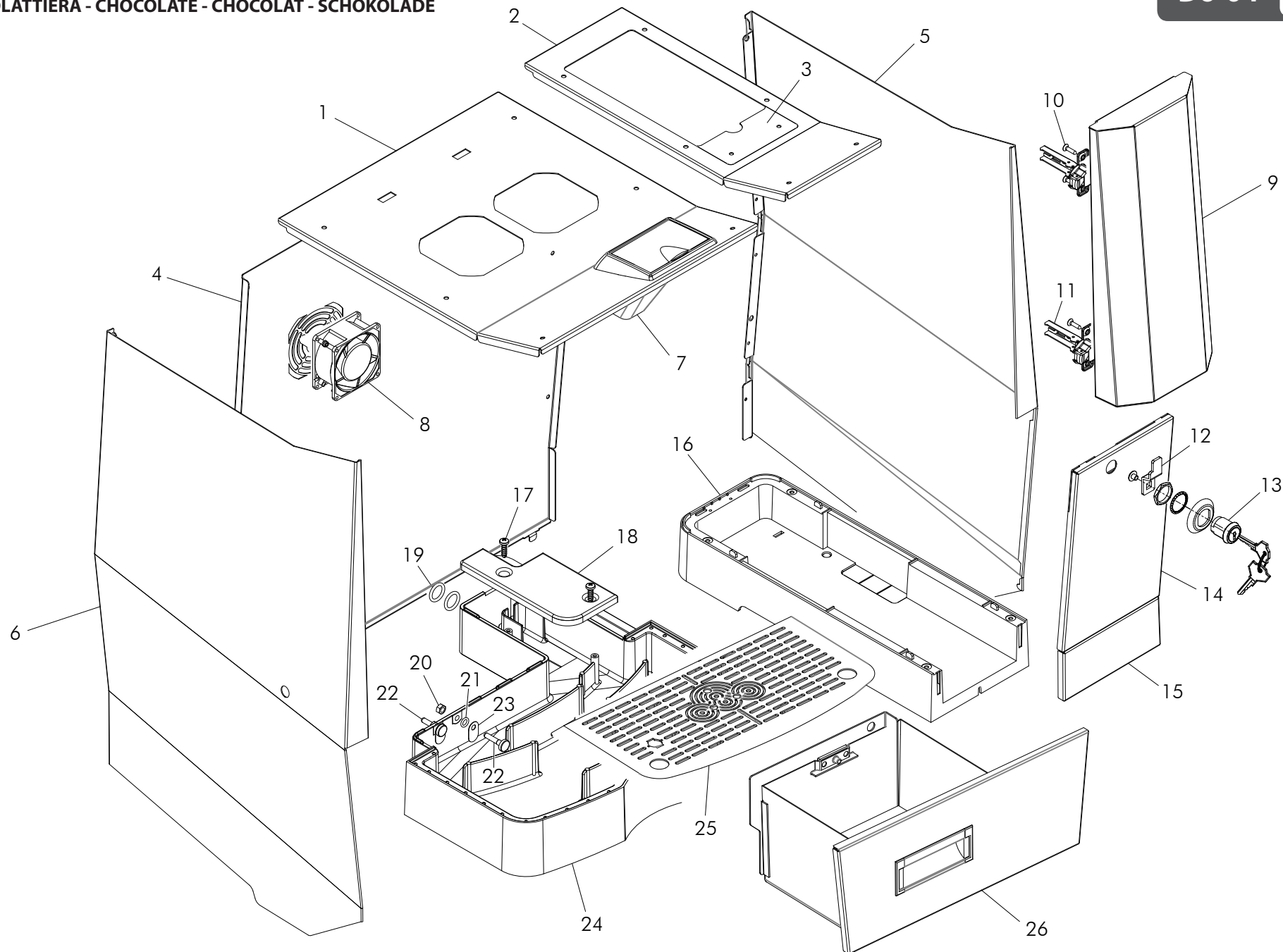


Pos	Code	Denominazione - IT -	Denomination - EN -	Denomination - FR -	Denomination - DE -
1	3MH9605108	ELETTRIVALVOLA ACQUA STOP	WATER SOLENOID VALVE STOP	ARRÊT DE BATEAU SOLÉNOÏDE VALVE	WASSER MAGNETVENTIL VENTIL ZU STOPPEN
2	3MH9105012	VITE INOX TE + RONDELLE M4X12 91.05012	SCREW + WASHERS M4X12	VIS + RONDELLES M4X12	SCHRAUBE + UNTERLEGSCHLEIBEN M4X12
3	3MH3705151	COPERCHIO CONTATTI BACINELLA 37.05151	TRAY COVER	COUVRE-PLATEAU CONTACT	KONTAKT ABDECKUNG
4	3MH9700155	FILTRO PER TUBO DI CARICO 3/4 97.00155	3/4 HOSE FILTER	FILTRE	FILTER
5	3MH9501889	TUBO ALIMENTAZIONE CON GOMITO 3/4-3/8	FEEDING TUBE	TUYAU ALIMENTATION	ERNÄHRUNGSSONDE
6	3MH9700113L1	TUBO DI SCARICO PVC TRASPARENTE MT1,5	DRAIN TUBE	TUYUAU ÉCHAPPEMENT	ABGASROHR
7	3MH1300056	MOLLA ATTACCO SCARICO VASCA 13.00056	SPRING	RESSORT	FEDER
8	3MH9100096	VITE AUTOFILETTANTE D.3,9X13 91.00096	SCREW D. 3, 9X13	VIS D. 3, 9 X 13	SCHRAUBE D. 3, 9 X 13
9	3MH9501026	FASCETTA STRINGITUBO 95.01026	CLAMP	COLLIER	SHELLE
10	3MH2201205	ATTACCO SCARICO VASCA MULTI EC-LM	DRAIN TUBE	TUYAU D'ÉCHAPPEMENT	ABGASROHR
11	3MH1402655	LAMIERINO CONTATTO LIVELLO 14.02655	LEVEL CONTACT SHEET	NIVEAU PLANCHE-CONTACT	EBENE KONTAKTBOGEN
12	3MH1402656	LAMIERINO PRESENZA BACINELLA 14.02656	BOWL ATTENDANCE SHEET	FEUILLE DE PRÉSENCE DE BOL	SCHÜSSEL ANWESENHEITSLISTE
13	3MH0301244	CABLAGGIO SONDA LIVELLO BACINELLA	CABLE BASIN LEVEL	CÂBLAGE DU CAPTEUR DE NIVEAU DE BASSIN	KABEL BECKEN LEVEL SENSORVERDRÄHTUNG
14	3MH9600842CA	SENSORE DI PRESENZA 96.00842.CA	SENSOR	CAPTEUR	SENSOR
15	3MH9501604	BLOCCACAVO UL GRIGIO PG16 95.01604	CABLE LOCK	BLOC CABLAGE	KABEL-BLOCK
16	3MH9501611	DADO PLASTICA FILETTO PG16 GRIGIO	NUT PG16	ÉCROU PG16	MUTTER PG16
22	3MH9501844	MORSETTO FISSACAVO 95.01844	CABLE CLAMP	PINCE CABLAGE	KABEL KLEMME
23	3MH1105069	SQUADRETTA 11.05069	SUPPORT	SUPPORT DE MONTAGE	SUPPORT
24	3MH9100267	VITE CILINDRICA 3,5X10 ZB 91.00267	SCREW 3, 5 X 10	VIS 3, 5 X 10	SCHRAUBE 3, 5 X 10
25	3MH3700812	BASAMENTO 37.00812	BASE	BASE	BASIS
26	3MH9505039	TAPPO NERO PER CAVA INTERRUTTORE 95.05039	BLACK CAP	HOUSSE NOIRE	SCHWARZE KAPPE



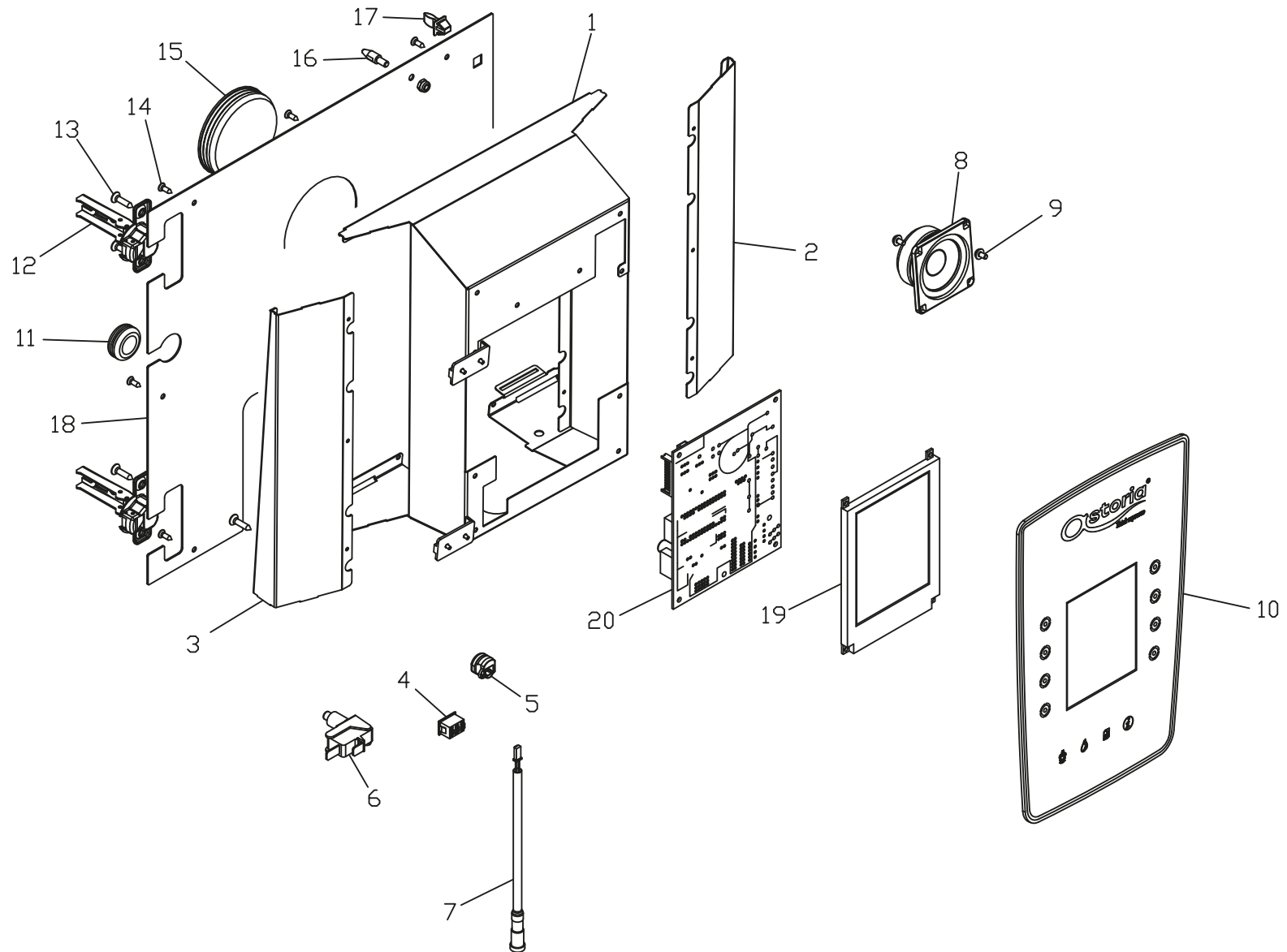
STANDARD

Pos	Code	Denominazione - IT -	Denomination - EN -	Denomination - FR -	Denomination - DE -
1	77488629	COPERTURA SUPERIORE	TOP COVER	CAPOT SUPÉRIEUR	OBERE ABDECKUNG
2	75552500	PANNELLO POSTERIORE BIANCO	REAR PANEL WHITE	ARRIÈRE PANNEAU BLANC	REAR PANEL WEIß
3	73707370	FIANCO DESTRO BIANCO	RIGHT SIDE WHITE	CÔTÉ DROIT BLANC	RECHTS WEIß
4	73707371	FIANCO SINISTRO BIANCO	LEFT SIDE WHITE	GAUCHE BLANC	LINKEN SEITE WEIß
5	56460001	SUPPORTO/SCIVOLO DECA + PIASTRINA	SUPPORT/SLIDE DECA + PLATE	SOUTIEN/SLIDE DECA + PLAQUE	UNTERSTÜTZUNG/FOLIE DECA + PLATTE
6	3MH9605135CA	ASPIRATORE QUADRO 80X80X38 220-240VAC	FAN 220-240VAC	ASPIRATEUR 220-240VAC	STAUBSAUGER 220-240VA
7	3MH9100267	VITE CILINDRICA 3,5X10 ZB 91.00267	SCREW 3, 5 X 10	VIS 3, 5 X 10	SCHRAUBE 3, 5 X 10
8	3MH3705153	COPERCHIO ANTI SPRUZZO BACINELLA	ANTI SPLASH COVER	COUVERCLE ANTI-SPLASH	ANTI-SPLASH COVER
9	3MH8700019	GUARNIZIONE OR3056 BACINELLA	GASKET OR3056	JOINT OR3056	DICHTUNG OR3056
10	3MH9200047	DADO M5 UNI5588 INOX 92.00047	NUT M5 UNI5588	ÉCROU M5 UNI5588	MUTTER M5 UNI5588
11	3MH8700032	GUARNIZIONE OR2025 87.00032	GASKET OR2025	JOINT OR2025	DICHTUNG OR2025
12	3MH1600212	PERNO PER BACINELLA 16.00212	PIN FOR BASIN	BROCHE POUR BASSIN	PIN FÜR BECKEN
13	3MH1402681	LAMIERINO BACINELLA 14.02681	SHEET TRAY	FEUILLES	BLATT-FACH
14	3MH3705156	BACINELLA MACCHINA 37.05156	BASIN MACHINE	BASSIN MACHINE	BECKEN MASCHINE
15	76149139	GRIGLIA BACINELLA	GRILL TRAY	PLATEAU DE GRILLADES	GRILLSCHALE
16	83770410R	KIT CASSETTO FONDI	DUMP BOX	VIDER LA BOÎTE	DUMP-BOX

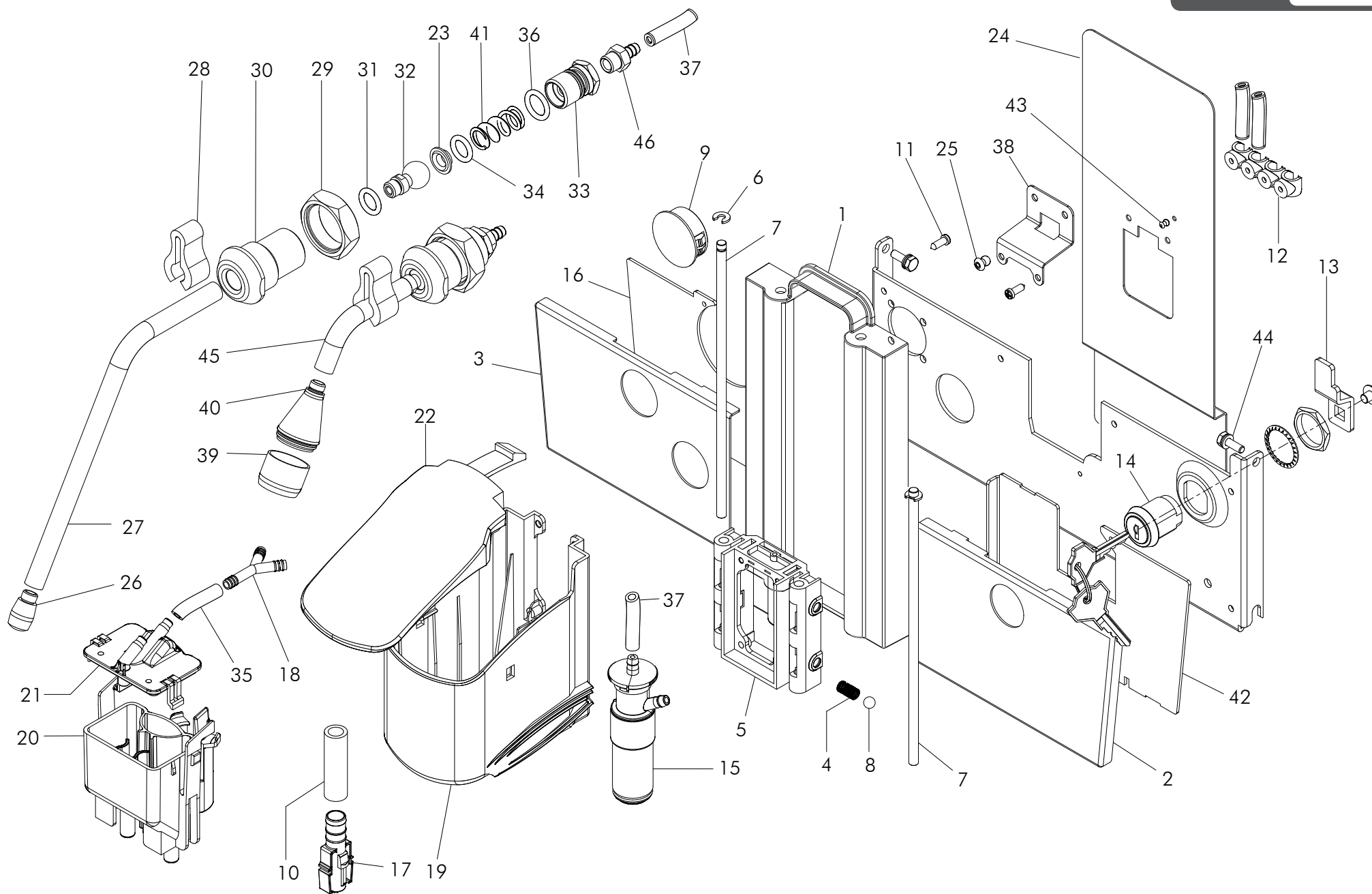


CIOCCOLATTIERA - CHOCOLATE - CHOCOLAT - SCHOKOLADE

Pos	Code	Denominazione - IT -	Denomination - EN -	Denomination - FR -	Denomination - DE -
1	77488629	COPERTURA SUPERIORE	TOP COVER	CAPOT SUPÉRIEUR	OBERE ABDECKUNG
2	77488639	COPERTURA SUPERIORE MODULO	TOP COVER	CAPOT SUPÉRIEUR	OBERE ABDECKUNG
3	77488640	TAMPONAMENTO COPERTURA MODULO	COVERAGE	COUVERTURE	ABDECKUNG
4	75552503	PANNELLO POSTERIORE BIANCO	REAR PANEL WHITE	ARRIÈRE PANNEAU BLANC	REAR PANEL WEIß
5	73707370	FIANCO DESTRO BIANCO	RIGHT SIDE WHITE	CÔTÉ DROIT BLANC	RECHTS WEIß
6	73707371	FIANCO SINISTRO BIANCO	LEFT SIDE WHITE	GAUCHE BLANC	LINKEN SEITE WEIß
7	56460001	SUPPORTO/SCIVOLO DECA + PIASTRINA	SUPPORT/SLIDE DECA + PLATE	SOUTIEN/SLIDE DECA + PLAQUE	UNTERSTÜTZUNG/FOLIE DECA + PLATTE
8	3MH9605135CA	ASPIRATORE QUADRO 80X80X38 220-240VAC	FAN 220-240VAC	ASPIRATEUR 220-240VAC	STAUBSAUGER 220-240VA
9	77488652	POSTERIORE FRONTALE MODULO	REAR PANEL	ARRIÈRE PANNEAU	REAR PANEL
10	3MH9100188	VITE AUTOFILETTANTE ZN 3.5X16 91.00188	SCREW	VIS	SCHRAUBE
11	3MH9501886	CERNIERA ZION/MX-3 95.01886	HINGE	CHARNIÈRE	SCHARNIER
12	3MH1105293	CHIAVISTELLO SERRATURA MX3 11.05293	LATCH LOCK MX3	VERROU SERRURE MX3	VERRIEGELUNG LOCK MX3
13	3MH9501802	ONLY KEY 95.01802	ONLY KEY	UNIQUEMENT CLÉ	NUR SCHLÜSSEL
14	77488645	FRONTALINO SUPERIORE MODULO	TOP PANEL	PANNEAU SUPÉRIEUR	OBERE PANEL
15	77488642	PANNELLO ANTERIORE POSTERIORE MODULO	REAR PANEL WHITE	ARRIÈRE PANNEAU BLANC	REAR PANEL WEIß
16	3MH3700858L1	BASAMENTO MODULO 37.00858.L1	BASE	BASE	BASIS
17	3MH9100267	VITE CILINDRICA 3,5X10 ZB 91.00267	SCREW 3, 5 X 10	VIS 3, 5 X 10	SCHRAUBE 3, 5 X 10
18	3MH3705153	COPERCHIO ANTI SPRUZZO BACINELLA	ANTI SPLASH COVER	COUVERCLE ANTI-SPLASH	ANTI-SPLASH COVER
19	3MH8700019	GUARNIZIONE OR3056 BACINELLA	GASKET OR3056	JOINT OR3056	DICHTUNG OR3056
20	3MH9200047	DADO M5 UNI5588 INOX 92.00047	NUT M5 UNI5588	ÉCROU M5 UNI5588	MUTTER M5 UNI5588
21	3MH8700032	GUARNIZIONE OR2025 87.00032	GASKET OR2025	JOINT OR2025	DICHTUNG OR2025
22	3MH1600212	PERNO PER BACINELLA 16.00212	PIN FOR BASIN	BROCHE POUR BASSIN	PIN FÜR BECKEN
23	3MH1402681	LAMIERINO BACINELLA 14.02681	SHEET TRAY	FEUILLES	BLATT-FACH
24	3MH3705156	BACINELLA MACCHINA 37.05156	BASIN MACHINE	BASSIN MACHINE	BECKEN MASCHINE
25	76149139	GRIGLIA BACINELLA	GRILL TRAY	PLATEAU DE GRILLADES	GRILLSCHALE
26	83770410R	KIT CASSETTO FONDI	DUMP BOX	VIDER LA BOÎTE	DUMP-BOX

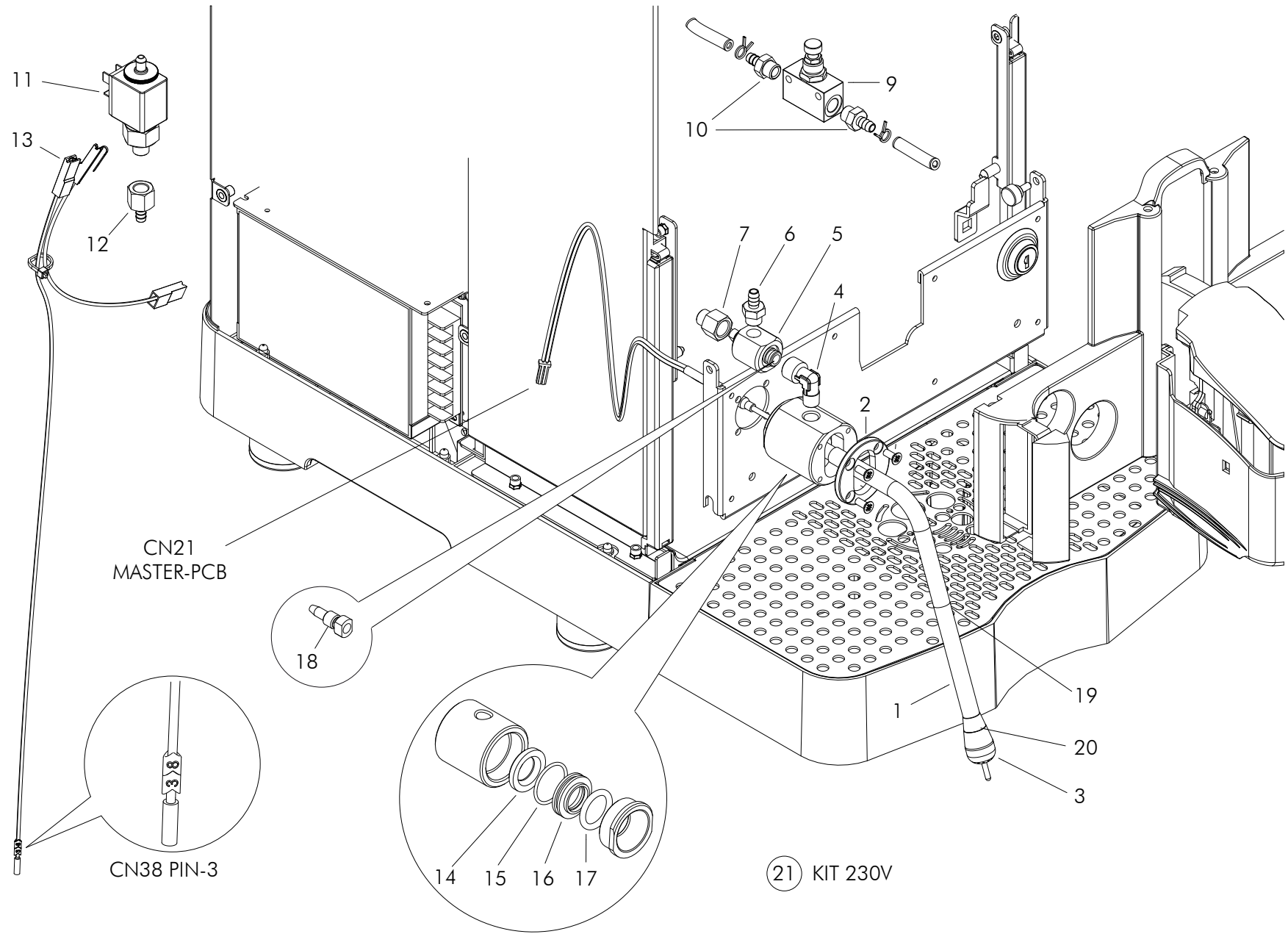


Pos	Code	Denominazione - IT -	Denomination - EN -	Denomination - FR -	Denomination - DE -
1	77488600	PARTE ANTERIORE FRONTONE	THE FRONT PEDIMENT	LE FRONTON AVANT	DER VORDERE GIEBEL
2	77488602	PARTE LATERALE DESTRA FRONTONE	RIGHT SIDE GABLE	PIGNON DU COTE DROIT	RECHTEN SEITE GIEBEL
3	77488603	PARTE LATERALE SINISTRA FRONTONE	SIDE PART LEFT GABLE	COTE PARTIE PIGNON GAUCHE	SEITE TEIL LINKEN GIEBEL
4	3MH9605109CA	INTERRUTTORE BIPOLARE MINI 96.05109.CA	BIPOLAR SWITCH MINI	MINI INTERRUPTEUR BIPOLAIRE	ZWEIPOLIGE SCHALTER MINI
5	3MH9501843	FERMACAVO 95.01843	CABLE CLAMP	SERRE-CABLE	KABELKLEMME
6	3MH9501759	MICROINTERRUTTORE N.A. UL 95.01759	MICROSWITCH UL	MICROSWITCH UL	MIKROSCHALTER UL
7	3MH9600848	LED BIANCO SPORTELLO 96.00848	WHITE LED	LED BLANC	WEI?E LED
8	3MH9605030CA	ALTOPARLANTE 8 OHM 2W 96.05030.CA	SPEAKER 8 OHM 2W	HAUT-PARLEUR 8 OHMS 2W	LAUTSPRECHER 8 OHM 2W
9	3MH9100263	VITE M3X6 + RONDELLA PIANA 91.00263	SCREW M3X6 + FLAT WASHER	VIS M3X6 + PLATE RONDELLE	SCHRAUBE 'M3X6 + FLACHE UNTERLEGSCHIEBE
10	3MH0106552	PULSANTIERA COMPLETA	PUSH BUTTONS	CLAVIERS	BEDIENBLENDEN
11	3MH3900001	PASSACAVO 39.00001	CABLE ROUTING	ROUTAGE DE CABLE	KABELFUHRUNG
12	3MH9501886	CERNIERA ZION/MX-3 95.01886	HINGE	CHARNIERE	SCHARNIER
13	3MH9100188	VITE AUTOFILETTANTE ZN 3.5X16 91.00188	SCREW	VIS	SCHRAUBE
14	3MH9100240	VITE AUTOFILETTANTE D.2.5 91.00240	SCREW D. 2.5	VIS D. 2,5	SCHRAUBE D.2,5
15	3MH9501890	TAPPO 95.01890	CAP	CAP	KAPPE
16	3MH1100507ZT	PERNI ACCIAIO PER CHIUSURA PORTA	PINS CLOSE DOOR	PINS DE FERMER LA PORTE	PINS TURE SCHLIE?EN
17	3MH9501840	PERNI PLASTICA PER CHIUSURA PORTA	PINS CLOSE DOOR	PINS DE FERMER LA PORTE	PINS TURE SCHLIE?EN
18	3MH1105258	CARTER SPORTELLO MX-5 11.05258	DOOR CASING	CAISSONS PORTE	GEHAUSE
19	3MH9600877CA	DISPLAY LCD 5,7"	DISPLAY LCD 5,7"	DISPLAY LCD 5,7"	DISPLAY LCD 5,7"
20	3MH9605012	SCHEDA DISPLAY 5,7"	UNIT DISPLAY 5,7"	CARTE DISPLAY 5,7"	KARTE DISPLAY 5,7"

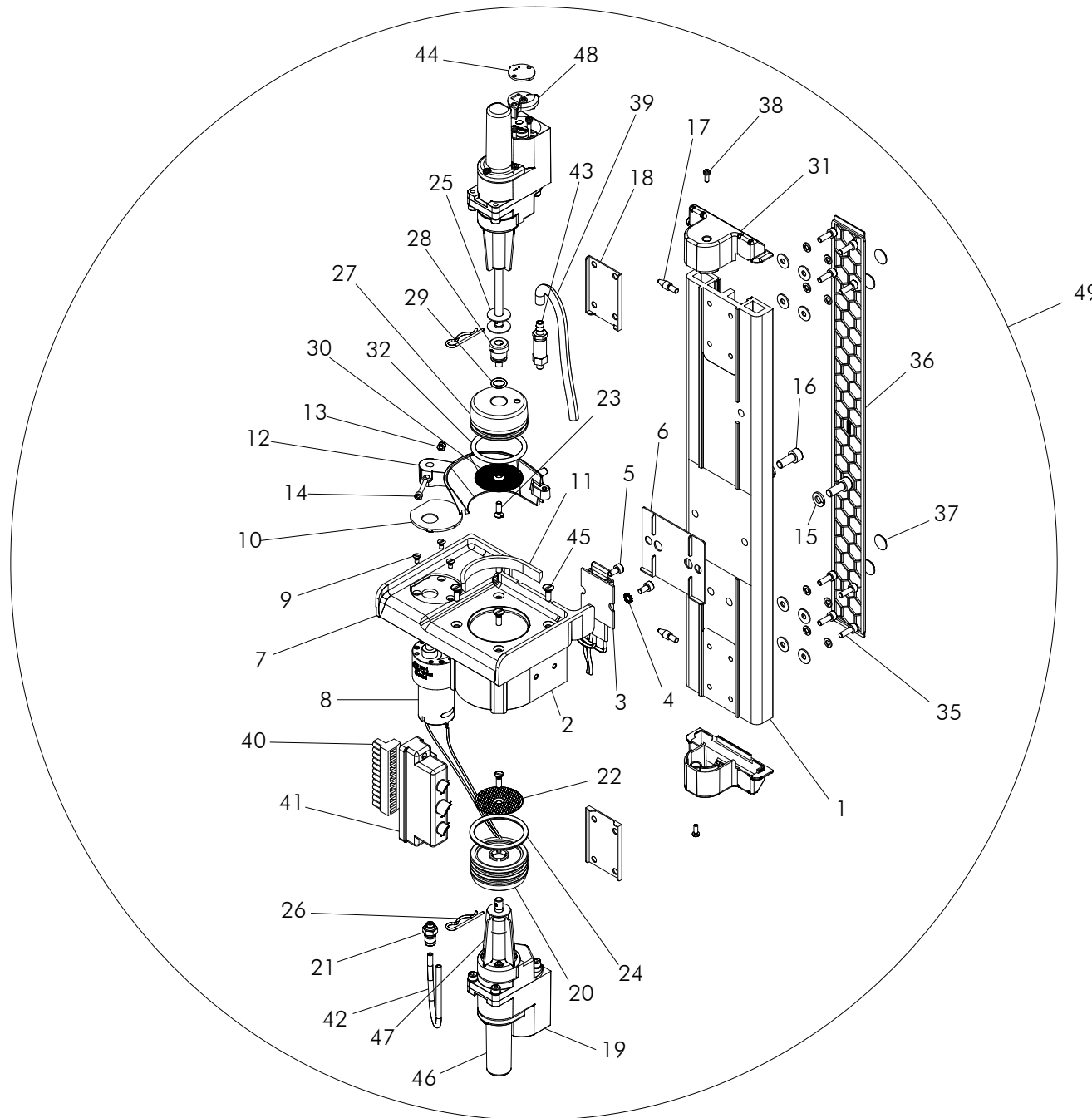


Pos	Code	Denominazione - IT -	Denomination - EN -	Denomination - FR -	Denomination - DE -
1	15020136	BINARIO GUIDA BECCUCCIO	GUIDE RAIL SPOUT	BEC DE RAIL DE GUIDE	GUIDE RAIL AUSLAUF
2	77488616	PANNELLO FRONTALINO DESTRO	RIGHT FRONT PANEL	PANNEAU AVANT DROIT	RECHTEN VORDEREN BEDIENFELD
3	77488619	PANNELLO FRONTALINO SINISTRO	LEFT FRONT PANEL	FACE AVANT GAUCHE	LINKE VORDERSEITE
4	3MH1305005	MOLLE PER SFERE SALISCENDI	LATCH SPRINGS	RESSORTS DE VERROU	LATCH FEDERN
5	3MH3705085	SALISCENDI 37.05085	UPS AND DOWNS	HAUTS ET LES BAS	HÖHEN UND TIEFEN
6	3MH9501845	ANELLO DI TENUTA PLASTICA 95.01845	PLASTIC SEAL RING	DE BAGUE D'ÉTANCHÉITÉ EN PLASTIQUE	KUNSTSTOFF DICHTRING
7	3MH1605001	ASTA SALISCENDI 16.05001	SLIDING RAIL	RAIL COULISSANT	GLEITSCHIENE
8	3MH9505062	SFERE SALISCENDI	BALL LATCH	SERRURE DE BOULE	BALL LATCH
9	3MH9501726	TAPPO A SCATTO PER FORO D.27,8 95.01726	HOLE PLUG	BOUCHON DE TROU	LOCH STOPFEN
10	3MH8400033	TUBO SILICONE MARRONE 12 X 2,25 84.00033	SILICONE TUBE 12 X 2.25	TUBE DE SILICONE 12 X 2,25	SILIKONSCHLAUCH 12 X 2,25
11	3MH9100267	VITE CILINDRICA 3,5X10 ZB 91.00267	SCREW 3, 5 X 10	VIS 3, 5 X 10	SCHRAUBE 3, 5 X 10
12	3MH9501765	CLIP D.8 PER N.4 TUBI 95.01765	CLIP D. 8	CLIP D.8	CLIP D. 8
13	3MH1105293	CHIAVISTELLO SERRATURA MX3 11.05293	LATCH LOCK MX3	VERROU SERRURE MX3	VERRIEGELUNG LOCK MX3
14	3MH9501802	ONLY KEY 95.01802	ONLY KEY	UNIQUEMENT CLÉ	NUR SCHLÜSSEL
14	3MH9501817	CILINDRETTO SERRATURA SINISTRO 95.01817	CYLINDER LOCK LEFT	CYLINDRE SERRURE GAUCHE	ZYLINDER SCHLOSS LINKS
15	3MH0101207	CAPPUCCINATORE 01.01207	MILK FROTHER	MOUSSEUR À LAIT	MILCHAUFSCÄUMER
16	77488618	SUPPORTO FRONTALINO SINISTRO	LEFT FRONT PANEL SUPPORT	SUPPORT DE PANNEAU AVANT GAUCHE	LINKE FRONT PANEL SUPPORT
17	3MH3700791	TUBO USCITA PRODOTTI 37.00791	OUTLET PIPE	TUYAU DE SORTIE	AUSLAUFROHR
18	3MH9700111	RACCORDO NYLON Y D.6 97.00111	FITTING NYLON Y D. 6	RACCORD EN NYLON Y D. 6	PASSENDEN NYLON Y D. 6
19	3MH3700784	SUPPORTO EROGATORE 37.00784	DONOR SUPPORT	APPUI DES DONATEURS	UNTERSTÜTZUNG DER GEBER
20	3MH3700789	EROGATORE CAFFE	COFFEE DISPENSER	DISTRIBUTEUR DE CAFÉ	KAFFEE-DISPENSER
21	3MH3700790	COPERCHIO EROGATORE CAFFE	COFFEE DISPENSER LID	COUVERCLE DU DISTRIBUTEUR CAFÉ	KAFFEE-DISPENSER DECKEL
22	3MH3705010CR	COPERTURA SALISCENDI 37.05010.CR	COVER UPS AND DOWNS	COVER UPS ET DOWNS	COVER UPS UND DOWNS
23	3MH2201322NP	BUSSOLA GUIDA MOLLA 22.01322.NP	ROD BEARING	ROULEMENT DE LA TIGE	PLEUELLAGER
24	77488627	PROTEZIONE BECCUCCIO	SPOUT PROTECTOR	BEC VERSEUR PROTECTEUR	AUSLAUF-PROTECTOR
25	3MH9400003	RIVETTO A STRAPPO ALLUMINIO 3,8X8	RIVET ALUMINIUM 3, 8 X 8	RIVET ALUMINIUM 3, 8 X 8	NIET ALUMINIUM 3, 8 X 8
26	3MH1600144	UGELLO VAPORE 16.00144	STEAM NOZZLE	BUSE	DAMPFDÜSE
27	3MH1600141	TUBO LANCIA VAPORE 16.00141	STEAM TUBE	BUSE DE VAPEUR	DAMPFRÖHR
28	3MH9501831	ISOLANTE TUBO VAPORE IN GOMMA 95.01831	INSULATING STEAM TUBE	ISOLANT TUYAU VAPEUR	DAMPF ISOLIERENDE
29	3MH2201361	DADO 3/4 22.01361	NUT 3/4	ECROU 3/4	MUTTER 3/4
30	3MH2201326NP	RACCORDO SNODO 22.01326.NP	JOINT FITTING	RACCORD DE JOINT	VERBINDUNGSTÜCK
31	3MH88000010019	GUARNIZIONE GIUNTO VAPORE 88.00001.00.19	GASKET	JOINT	DICHTUNG
32	3MH1600142	RACCORDO SFERICO 16.00142	FITTING	RACCORD	PASSEND
33	3MH2205004NP	REGOLATORE SNODO VAPORE 22.05004.NP	HUB CONTROLLER	CONTRÔLEUR DE HUB	HUB CONTROLLER
34	3MH87000270019	GUARNIZIONE SNODO VAPORE NSF OR112	GASKET	JOINT	DICHTUNG
35	3MH8400028	TUBO SILICONE MARRONE 7x2	SILICONE TUBE 7X2	TUBE DE SILICONE 7 X 2	SILIKONSCHLAUCH 7 X 2
36	3MH87000060019	GUARNIZIONE OR115 87.00006.00.19	OR115 GASKET	JOINT OR	OR115 DICHTUNG
37	3MH8400030	TUBO SILICONE 7x1,5	SILICONE TUBE 7X1 .5	TUYAU EN SILICONE 7 X 1.5	SILIKONSCHLAUCH 7 X 1.5

Pos	Code	Denominazione - IT -	Denomination - EN -	Denomination - FR -	Denomination - DE -
38	3MH1405037	SUPPORTO CARTER SALISCENDI 14.05037	SUPPORT	SUPPORT	UNTERSTÜTZUNG
39	3MH9500746	CONCENTRATORE ACQUA CALDA 95.00746	CONCENTRATOR HOT WATER	CONCENTRATEUR EAU CHAUDE	WARMWASSER-KONZENTRATOR
40	3MH1600143	RACCORDO CONCENTRATORE ACQUA 16.00143	FITTING WATER CONCENTRATOR	RACCORD EAU CONCENTRATEUR	ARMATUR WASSER KONZENTRATOR
41	3MH1305002	MOLLA RUBINETTO 13.05002	VALVE SPRING	RESSORT DE SOUPAPE	VENTILFEDER
42	77488615	SUPPORTO FRONTALINO DESTRO	RIGHT FRONT PANEL SUPPORT	SUPPORT DE PANNEAU AVANT DROIT	RECHTS FRONT PANEL SUPPORT
43	3MH9405003	RIVETTO A STRAPPO D.2,8X9 94.05003	RIVET Q. 2, 8X9	RIVET Q. 2, 8 X 9	NIET F. 2, 8 X 9
44	3MH9105012	VITE INOX TE + RONDELLE M4X12 91.05012	SCREW + WASHERS M4X12	VIS + RONDELLES M4X12	SCHRAUBE + UNTERLEGSCHNEIBEN M4X12
45	3MH1605002	TUBO LANCIA ACQUA CALDA 16.05002	WATER TUBE	TUBE EAU	WASSER ROHR
46	3MH9700052	RACCORDO PORTAGOMMA 1/8M 97.00052	CONNECTOR 1/8 M	CONNECTEUR 1/8 M	SCHLAUCHANSCHLUSS 1/8 M

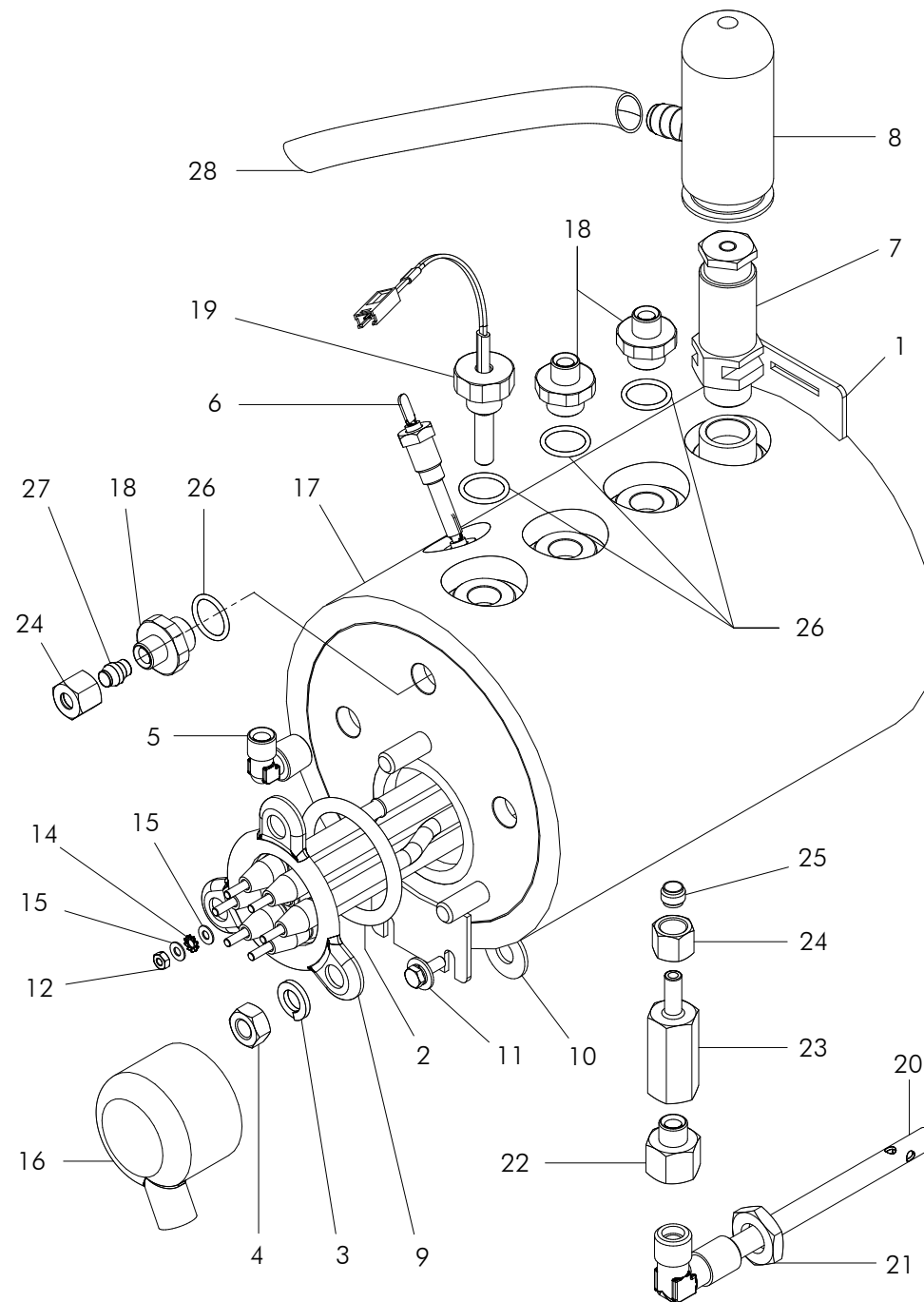


Pos	Code	Denominazione - IT -	Denomination - EN -	Denomination - FR -	Denomination - DE -
1	3MH9505045	LANCIA VAPORE 95.05045	STEAM TUBE	TUYAU VAPEUR	DAMPF-ROHR
2	3MH1402679	FLANGIA LANCIA 14.02679	FLANGE	BRIDE	FLANSCH
3	3MH9505218	UGELLO 8 FORI D.1,5 LANCIA 95.05218	NOZZLE	BUSE	DÜSE
4	3MH9501097L1	RACCORDO L 1/8 1/8 95.01097.L1	FITTING L 1/8 1/8	RACCORD 1/8 1/8	PASSENDE L 1/8 1/8
5	3MH9501860	ASPIRATORE CON UGELLO D.2,5 95.01860	VACUUM CLEANER WITH NOZZLE D. 2.5	ASPIRATEUR AVEC BUSE D. 2,5	STAUBSAUGER MIT DÜSE D 2,5
6	3MH9700052	RACCORDO PORTAGOMMA 1/8M 97.00052	HOSE CONNECTOR 1/8M	CONNECTEUR DE TUYAU 1/8 M	SCHLAUCHANSCHLUSS 1/8 M
7	3MH9700089	RACCORDO DIRITTO BICONO D.6 1/8F	STRAIGHT CONNECTOR 1/8F	CONNECTEUR DROIT 1/8F	GERADER VERBINDER 1/8F
9	3MH9705009	REGOLATORE ARIA 97.05009	AIR REGULATOR	RÉGULATEUR D'AIR	DRUCKREGLER
10	3MH9700052	RACCORDO PORTAGOMMA 1/8M 97.00052	HOSE CONNECTOR 1/8 M	CONNECTEUR DE TUYAU 1/8 M	SCHLAUCHANSCHLUSS 1/8 M
11	3MH9600474	ELETTRIVALVOLA 2V 1/8M 230V 96.00474	SOLENOID VALVE 1/8 M 2V 230V	ELECTROVANNE 1/8 M 2V 230V	MAGNETVENTIL 1/8 M 2V 230V
12	3MH9700051NP	RACCORDO PORTAGOMMA 1/8F 97.00051.NP	HOSE CONNECTOR 1/8F	CONNECTEUR DE TUYAU 1/8F	SCHLAUCHANSCHLUSS 1/8F
13	3MH0305037	CABLAGGIO ELETTRIVALVOLA ARIA LANCIA	CABLE	CÂBLAGE	VERDRAHTUNG
14	3MH9505006	GUARNIZIONE INFERIORE TEFLON LANCIA	LOWER GASKET	JOINT INFÉRIEUR	UNTEREN DICHTUNG
15	3MH9505007	GUARNIZIONE OR2093 LANCIA 95.05007	OR2093 GASKET	OR2093 JOINT	OR2093 DICHTUNG
16	3MH9505005	GUARNIZIONE SUPERIORE TEFLON LANCIA	UPPER GASKET	JOINT SUPÉRIEURE	OBEREN DICHTUNG
17	3MH9505008	GUARNIZIONE OR4075 LANCIA 95.05008	OR4075 GASKET	JOINT OR4075	OR4075 DICHTUNG
18	3MH9505014	UGELLO D.1,5 PER ASPIRATORE LANCIA	NOZZLE D. 1.5	BUSE D. 1.5	DÜSE D. 1,5
18	3MH9505047	UGELLO D.2,5 PER ASPIRATORE LANCIA	NOZZLE D. 2.5	BUSE D. 2.5	DÜSE D. 2,5
19	3MH9505052	GUARNIZIONE OR 6 95.05052	GASKET OR 6	JOINT 6	DICHTUNG 6
20	3MH87000260019	GUARNIZIONE OR-108 87.00026.00.19	GASKET OR-108	GASKET OR-108	OR-108 DICHTUNG
21	3MH0405023	KIT LANCIA 230V 04.05023	KIT STEAM TUBE	KIT TUYAU VAPEUR	KIT DAMPF-ROHR

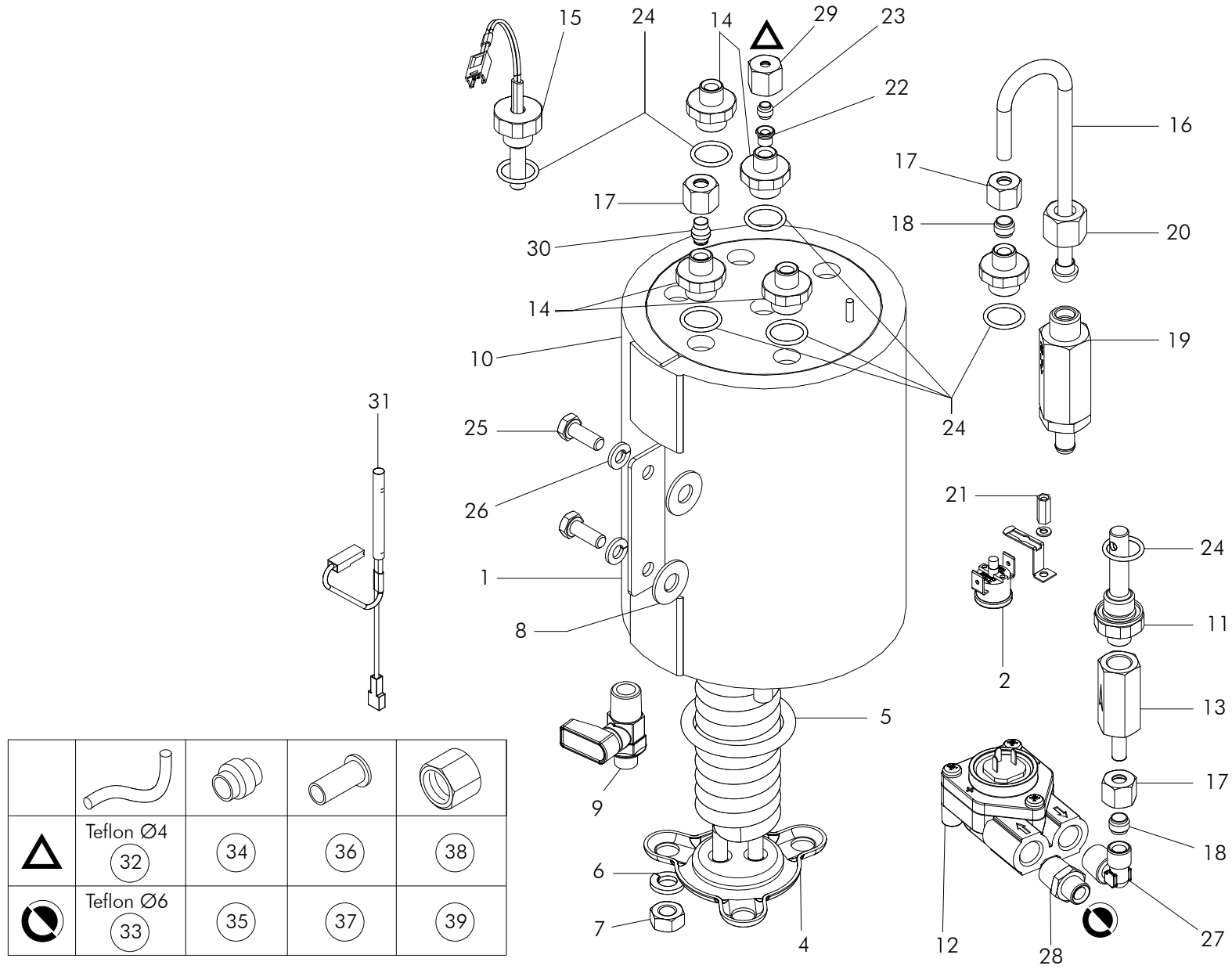


Pos	Code	Denominazione - IT -	Denomination - EN -	Denomination - FR -	Denomination - DE -
1	3MH2405009L1	PIASTRA GRUPPO 24.05009.L1	PLATE GROUP	PLAQUE GROUPE	PLATTE -GRUPPE
2	3MH0105589	BLOCCO INFUSORE D.45 01.05589	BLOCK INFUSER D. 45	BLOC INFUSEUR D. 45	BLOCK-INFUSER D. 45
3	3MH9600263	ELEMENTO RISCALDANTE PTC 96.00263	PTC HEATING ELEMENT	ÉLÉMENT DE CHAUFFAGE PTC	PTC-HEIZELEMENT
4	3MH9300002	RONDELLA D.4 UNI8842 93.00002	WASHER D.4	RONDELLE D.4	UNTERLEGSCHLEIBE D.4
5	3MH9100192	VITE INOX TCEI M4X8 91.00192	SCREW TCEI M4X8	VIS EN TCEI M4X8	SCHRAUBE TCEI M4X8
6	3MH3705052	ISOLANTE GRUPPO INFUSORE 37.05052	UNIT INSULATION	ISOLATION UNITÉ	UNIT ISOLIERUNG
7	3MH3705135	RIPIANO GRUPPO 37.05135	GROUP SHELF	PLATEAU GROUPE	GRUPPE REGAL
8	3MH9600702	MOTORIDUTTORE ESPULSORE	EXTRUDER GEAR MOTOR	MOTO-RÉDUCTEUR EXTRUDEUSE	EXTRUDER-GETRIEBEMOTOR
9	3MH9100182	VITE INOX TSP M3X6 91.00182	SCREW M3X6	VIS M3X6	SCHRAUBE M3X6
10	3MH3705136	TAPPO VITI TEGOLINO 37.05136	COVER SCREW	CAPOT VIS	SCHRAUBKAPPE
11	3MH8400024	SPATOLA ESPULSORE GRUPPO 84.00024	SPATULA EJECTOR GROUP	SPATULE ÉJECTEUR GROUPE	SPATEL AUSWERFER GRUPPE
12	3MH3700665	ESPULSORE	EJECTOR	ÉJECTEUR	AUSWERFER
13	3MH9200032	DADO M3 AUTOBLOCCANTE 92.00032	NUT M3	ÉCROU M3	MUTTER M3
14	3MH9100264	VITE M3X20 UNI5931 91.00264	SCREW M3X20	VIS M3X20	SCHRAUBE M3X20
15	3MH9300045	RONDELLA ELASTICA DI BLOCCAGGIO DIN127	WASHER	RONDELLE	FEDERSCHLEIBE
16	3MH9100190	VITE INOX TCEI M 6X15 91.00190	SCREW M 6 X 15	VIS M 6 X 15	SCHRAUBEN M 6 X 15
17	3MH1100507ZT	PERNI ACCIAIO PER CHIUSURA PORTA	PINS	PINS	PINS
18	3MH3705051	ISOLANTE ATTUATORE 37.05051	INSULATOR ACTUATOR	ISOLATEUR ACTIONNEUR	ISOLATOR ANTRIEB
19	3MH0105841	MOTORIDUTTORE M4	GEAR MOTOR M4	PIGNON MOTEUR M4	GETRIEBE MOTOR M4
20	3MH2201422NP	PISTONE PORTADOCGETTA GRUPPO 22.01422.NP	PISTON	PISTON	KOLBEN
21	3MH97000700019	RACCORDO DIRITTO RAPIDO 97.00070.00.19	FITTING	RACCORD	ANCHLUSS
22	3MH1400565	DOCGETTA	SHOWER	DOUCHE	HANDBRAUSE
23	3MH9100191	VITE TSP M4X12 91.00191	SCREW M4X12	VIS M4X12	SCHRAUBE M4X12
24	3MH8700176	GUARNIZIONE PISTONE INFERIORE	GASKET	JOINT	DICHTUNG
25	3MH1300058	MOLLA A TAZZA 18X6.3X0.8 13.00058	SPRING 18 X 6.3 X 0,8	RESSORT 18 X 6,3 X 0,8	HAHNFEDEN 18 X 6,3 X 0,8
26	3MH1300064	MOLLA FISSAGGIO PISTONE 13.00064	PISTON SPRING	RESORTPISTON	HAHNFEDEN
27	3MH3700779	PISTONE PORTAFILTRO 37.00779	PISTON FILTER HOLDER	PISTON PORTE-FILTRE	KOLBEN-FILTER-HALTER
28	3MH2201288NP	INSERTO PER PISTONE PORTA FILTRO	PISTON INSERT	PISTON INSÉRER	KOLBEN SCHIEBEN
29	3MH87000260019	GUARNIZIONE OR-108 87.00026.00.19	GASKET OR-108	JOINT OR-108	DICHTUNG OR-108
30	3MH1401602	MICROFILTRO	MICROFILTER	MICROFILTRE	MIKROFILTER
31	3MH3705189	COPERCHIO ENCODER ATTUATORE 37.05189	LID	COUVERCLE	DECKEL
32	3MH8700142	GUARNIZIONE PISTONE SUPERIORE	GASKET	JOINT	DICHTUNG
35	3MH9100095	DADO M4X12 ISO4762	NUT M4X12	ECROU M4X12	MUTTER M4X12
36	3MH3705190	COVER PIASTRA 37.05190	COVER PLATE	PLAQUE DE RECOUVREMENT	ABDECKPLATTE
37	3MH9505170	GOMMINO ADESIVO D.12,5 95.05170	ADHESIVE GROMMET D. 12.5	OEILLET ADHÉSIF D. 12,5	SELBSTKLEBENDE TÛLLE D. 12,5
38	3MH9100227	VITE AUTOFILETTANTE 3X8 UNI10227	SCREW 3X8 UNI10227	VIS 3 X 8 UNI10227	SCHRAUBE 3 X 8 UNI10227

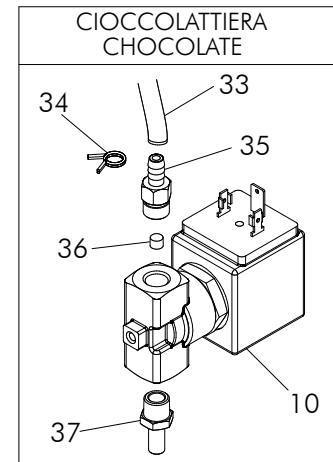
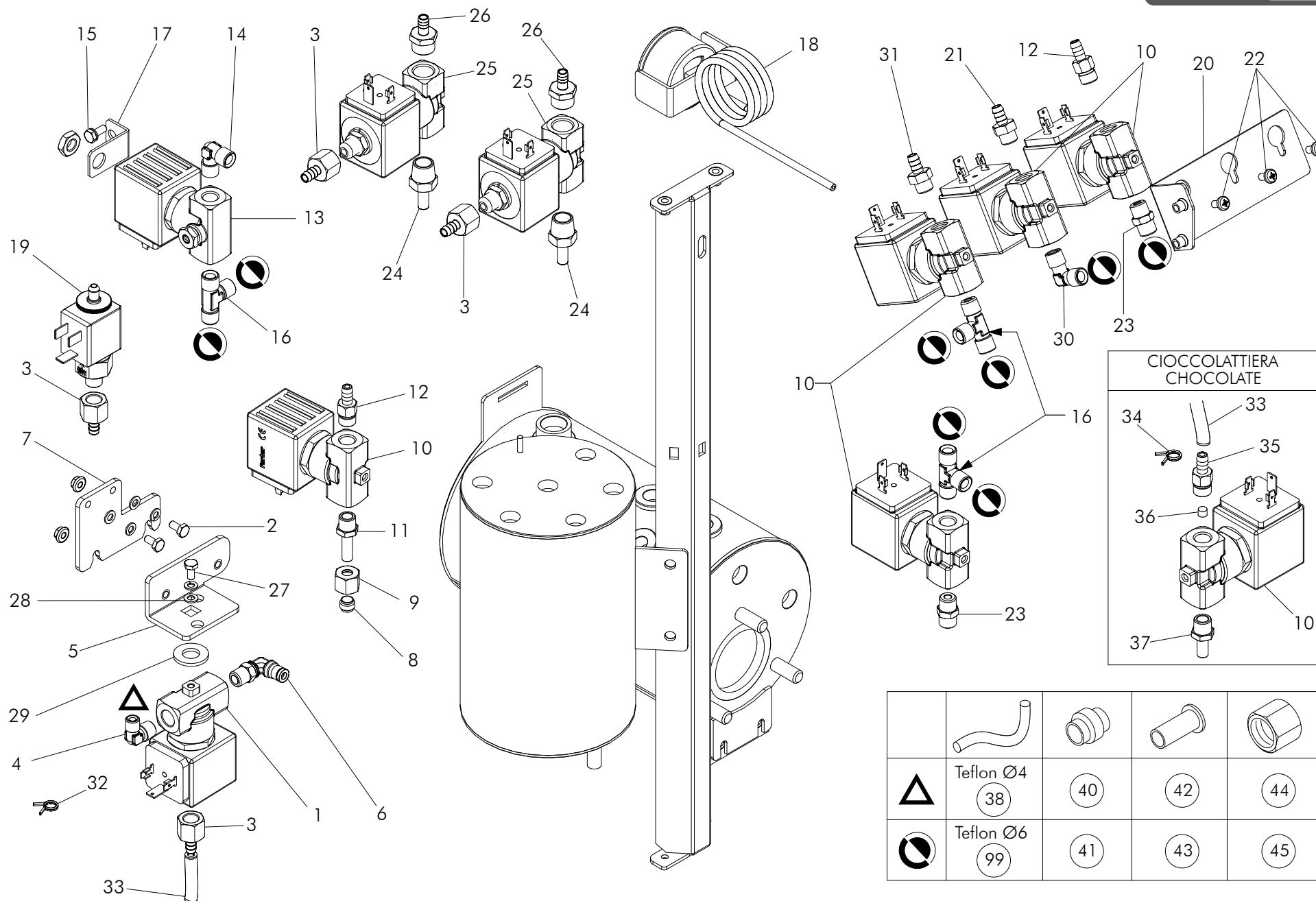
Pos	Code	Denominazione - IT -	Denomination - EN -	Denomination - FR -	Denomination - DE -
39	3MH8400028	TUBO SILICONE MARRONE 7x2	SILICONE TUBE 7X2	TUBE DE SILICONE 7 X 2	SILIKONSCHLAUCH 7 X 2
40	3MH9501721	SPINA CONNETTORE FEMMINA 12 VIE 95.01721	FEMALE CONNECTOR	CONNECTEUR FEMELLE	BUCHSE STECKER
41	3MH8600047	CUFFIA PER CONNETTORE 12 VIE 86.00047	CONNECTOR CAP	CONNECTEUR	ANSCHLUBDECKEL
42	3MH8800040	TUBO TEFLON D.4 88.00040	TEFLON PIPE D. 4	TUYAU TEFLON D.4	TEFLON-ROHR D.4
43	3MH0100704	REGOLATORE USCITA CAFFE 01.00704	COFFEE OUTPUT REGULATOR	RÉGULATEUR DE PUISSANCE CAFÉ	KAFFEE LEISTUNGSREGLER
44	3MH9600656	SCHEDA ENCODER 96.00656	ENCODER CARD	ENCODEUR CARTE	ENCODERKARTE
45	3MH9100191TF	VITE TSP M4X12 TEFLONATA 91.00191.TF	SCREW M4X12	VIS M4X12	SCHRAUBE M4X12
46	3MH3700496S2	CANOTTO SUPERIORE 37.00496.S2	UPPER TUBE	TUYAU SUPÉRIEURE	OBEREN ROHR
47	3MH3700497S2	CANOTTO INFERIORE 37.00497.S2	LOWER TUBE	TUYAU INFÉRIEURE	UNTER ROHR
48	3MH3700582	SUPPORTO SCHEDA ENCODER GRUPPO M	CARD SUPPORT	SUPPORT CARTE	KARTENUNTERSTÜTZUNG
49	3MH0105951IM	GRUPPO	GROUP	GRUPE	GRUPPE



Pos	Code	Denominazione - IT -	Denomination - EN -	Denomination - FR -	Denomination - DE -
1	3MH0205090	CALDAIA VAPORE INOX 1,8L 02.05090	STEAM BOILER	CHAUDIÈRE VAPEUR	DAMPFKESSEL
2	3MH87050030019	GUARNIZIONE RESISTENZA OR6150	GASKET OR6150	JOINT OR6150	DICHTUNG OR6150
3	3MH9300006	RONDELLA ELASTICA D.8 93.00006	WASHER D. 8	RONDELLE D. 8	UNTERLEGSCHLEIBE D. 8
4	3MH9200051	DADO M8 OTTONE 92.00051	NUT M8	ÉCROU M8	MUTTER M8
5	3MH9700086	RACCORDO L BICONO D.6 1/4M 97.00086	FITTING 1/4M	RACCORD 1/4 M	ANSCHLUSS 1/4M
6	3MH9605306	SONDA LIVELLO 96.05306	LEVEL PROBE	SONDE DE NIVEAU	NIVEAUSONDE
7	3MH9705024	VALVOLA DI SICUREZZA	SAFETY VALVE	SOUPAPE DE SÉCURITÉ	SICHERHEITSVENTIL
8	3MH3700865	PROTEZIONE VALVOLA SICUREZZA 37.00865	SAFETY VALVE PROTECTION	PROTECTION SOUPAPE DE SÉCURITÉ	SICHERHEITSVENTIL SCHUTZ
9	3MH9600544	RESISTENZA CALDAIA 2.0KW	BOILER RESISTANCE 2.0 KW	RÉSISTANCE CHAUDIÈRE KW 2.0	KESSEL WIDERSTAND 2,0 KW
9	3MH9600559	RESISTENZA CALDAIA 2.8KW	BOILER RESISTANCE 2.8 KW	RÉSISTANCE CHAUDIÈRE KW 2.8	KESSEL WIDERSTAND 2,8 KW
10	3MH7400013	ISOLANTE GRUPPO 74.00013	GROUP INSULATION	D'ISOLATION GROUPE	GRUPPE ISOLIERUNG
11	3MH9105012	VITE INOX TE + RONDELLE M4X12 91.05012	SCREW + WASHERS M4X12	VIS + RONDELLES M4X12	SCHRAUBE M4X12
12	3MH9200005	DADO M3 OTTONE 92.00005	NUT M3	ÉCROU M3	MUTTER M3
14	3MH9300013	RONDELLA DENTATA D.3 UNI8842 93.00013	WASHER D. 3 UNI8842	RONDELLE D. 3 UNI8842	SCHEIBE D. 3 UNI8842
15	3MH9300007	RONDELLA PIANA OTTONE 93.00007	WASHER	RONDELLE	SCHEIBE
16	3MH3700489	PROTEZIONE RESISTENZA 37.00489	RESISTANCE PROTECTION	PROTECTION RÉSISTANCE	SCHUTZ
17	3MH8605019	ISOLANTE CALDAIA 86.05019	BOILER INSULATION	ISOLATION DE CHAUDIÈRE	BOILER ISOLIERUNG
18	3MH1605066	RACCORDO DRITTO BICONO D.6 1/4M	CONNECTOR D.6 1/4M	RACCORD D.6 1/4 M	ANSCHLUSS D.6 1/4 M
19	3MH9605151	SONDA TEMPERATURA	TEMPERATURE PROBE	SONDE DE TEMPÉRATURE	TEMPERATURSONDE
20	3MH0202185	TUBO INIETTORE CALDAIA 02.02185	INJECTOR TUBE	TUBE INJECTEUR	INJEKTOR TUBE
21	3MH2200197	DADO RIBASSATO H.5 22.00197	NUT H. 5	ECROU H. 5	MUTTER H. 5
22	3MH0205089	TUBO VALVOLA ESPANSIONE 02.05089	TUBE EXPANSION VALVE	TUBE VALVE D'EXPANSION	ROHR-EXPANSIONSVENTIL
23	3MH9705015	VALVOLA NON RITORNO	NON-RETURN VALVE	CLAPET ANTI-RETOUR	RÜCKSCHLAGVENTIL
24	3MH9700103	DADO DI SERRAGGIO M10 TUBO 6	NUT M10	ÉCROU M10	MUTTER M10
25	3MH9700102	ANELLO DI TENUTA D.6	SEALING RING D. 6	JOINT D'ÉTANCHÉITÉ D. 6	SEALING RING D. 6
26	3MH8700087	GUARNIZIONE VITON OR 2056	GASKET OR 2056	JOINT OR 2056	DICHTUNG OR 2056
27	3MH9700075	TAPPO PER RACCORDO D.6 97.00075	CONNECTOR CAP	CAP RACCORD	ANSCHLUSS CAP
28	3MH8400010	TUBO SILICONE 14 X 2 84.00010	SILICONE TUBE 14 X 2	TUBE SILICONE 14 X 2	SILIKON SCHLAUCH 14 X 2



Pos	Code	Denominazione - IT -	Denomination - EN -	Denomination - FR -	Denomination - DE -
1	3MH0205047	CALDAIA INOX	STAINLESS BOILER	CHAUDIÈRE ACIER INOXYDABLE	EDELSTAHL KESSEL
2	3MH9605127	TERMOSTATO DI SICUREZZA 120C	SAFETY THERMOSTAT 120	THERMOSTAT DE SÉCURITÉ 120	SICHERHEITS-THERMOSTAT 120
4	3MH9605134	RESISTENZA CALDAIA 2.5KW	BOILER RESISTANCE 2.5 KW	CHAUDIÈRE 2.5 KW	KESSEL 2,5 KW
4	3MH9605296	RESISTENZA CALDAIA 1.8KW	BOILER RESISTANCE 1.8 KW	CHAUDIÈRE 1.8 KW	KESSEL 1,8 KW
5	3MH87050030019	GUARNIZIONE RESISTENZA OR6150	GASKET OR6150	JOINT OR6150	DICHTUNG OR6150
6	3MH9300006	RONDELLA ELASTICA D.8 93.00006	WASHER D. 8	RONDELLE D. 8	UNTERLEGSCHLEIBE D. 8
7	3MH9200051	DADO M8 OTTONE 92.00051	NUT M8	ÉCROU M8	MUTTER M8
8	3MH7400013	ISOLANTE GRUPPO 74.00013	GROUP INSULATION	ISOLATION GROUPE	GRUPPE ISOLIERUNG
9	3MH9505048	RUBINETTO A SFERA 1/4 1/8 95.05048	TAP 1/4 1/8	ROBINET 1/4 1/8	HAHNFEDER 1/4 1/8
10	3MH8605005	COIBENTAZIONE CALDAIA 86.05005	BOILER INSULATION	ISOLATION DE CHAUDIÈRE	BOILER ISOLIERUNG
11	3MH1605067	INIETTORE CALDAIA 16.05067	INJECTOR BOILER	INJECTEUR CHAUDIÈRE	INJEKTOR KESSEL
12	3MH9501205	TURBINA	TURBINE	TURBINE	TURBINE
13	3MH9705015	VALVOLA NON RITORNO	NON-RETURN VALVE	CLAPET ANTI-RETOUR	RÜCKSCHLAGVENTIL
14	3MH1605066	RACCORDO DRITTO BICONO D.6 1/4M	CONNECTOR 1/4 M	RACCORD 1/4 M	ANSCHLUSS 1/4 M
15	3MH9605151	SONDA TEMPERATURA	TEMPERATURE PROBE	SONDE DE TEMPÉRATURE	TEMPERATURSONDE
16	3MH0205089	TUBO VALVOLA ESPANSIONE 02.05089	TUBE EXPANSION VALVE	TUBE VALVE D'EXPANSION	ROHR-EXPANSIONSVENTIL
17	3MH9700103	DADO DI SERRAGGIO M10 TUBO 6	NUT M10	ÉCROU M10	MUTTER M10
18	3MH9700102	ANELLO DI TENUTA D.6	SEALING RING D. 6	JOINT D'ÉTANCHÉITÉ D. 6	SEALING RING D. 6
19	3MH9700125	VALVOLA ESPANSIONE 1/4 13 BAR	EXPANSION VALVE 4/1/13 BAR	VALVE D'EXPANSION 01/04/13 BAR	EXPANSIONSVENTIL 01.04.13 BAR
20	3MH2201409RI	DADO PER BOCCHETTONE 1/4G 22.01409.RI	NUT 1/4	ÉCROU 1/4	MUTTER 1/4
21	3MH9501805	DISTANZIATORE 95.01805	SPACER	ENTRETOISE	ABSTANDHALTER
22	3MH9700129	RIDUZIONE D.4 X RACCORDO D.6 97.00129	REDUCTION FITTING D.4	RACCORD RÉDUCTION D.4	FITTING D.4
23	3MH9700104	ANELLO DI TENUTA D.4	SEALING RING D. 4	JOINT D'ÉTANCHÉITÉ D. 4	SEALING RING D. 4
24	3MH8700087	GUARNIZIONE VITON OR 2056	GASKET OR 2056	JOINT OR 2056	DICHTUNG OR 2056
25	3MH9100016	VITE TE ZN M 6X16 91.00016	HEAD SCREW M6X16 ZN	TÊTE VIS M6X16 ZN	HEAD SCHRAUBE M6X16 ZN
26	3MH9300045	RONDELLA ELASTICA DI BLOCCAGGIO DIN127	WASHER	RONDELLE	FEDERSCHLEIBE
27	3MH9700086	RACCORDO L BICONO D.6 1/4M 97.00086	CONNECTOR D.6 1/4M	RACCORD D.6 1/4M	ANSCHLUSS D.6 1/4M
28	3MH9700094RI	RACCORDO DRITTO BICONO D.6 1/4M	CONNECTOR D.6 1/4M	RACCORD D.6 1/4M	ANSCHLUSS D.6 1/4M
29	3MH9705021	DADO DI SERRAGGIO M10 TUBO 4 97.05021	NUT M10	ÉCROU M10	MUTTER M10
30	3MH9700075	TAPPO PER RACCORDO D.6 97.00075	CAP	BOUCHON	STOPFEN
31	3MH9605300	ASSIEME TERMOFUSIBILE RESISTENZA CALDAIA	THERMO FUSE	THERMO FUSIBLE	THERMO-SICHERUNG
32	3MH8800040	TUBO TEFLON D.4 88.00040	TEFLON PIPE D.4	TUYAU TEFLON D.4	TEFLON-ROHR D.4
33	3MH8800041	TUBO TEFLON D.6 88.00041	TEFLON PIPE D. 6	TUYAU TEFLON D.6	TEFLON-ROHR D.6
34	3MH9700104	ANELLO DI TENUTA D.4	SEALING RING D. 4	JOINT D'ÉTANCHÉITÉ D. 4	SEALING RING D. 4
35	3MH9700102	ANELLO DI TENUTA D.6	SEALING RING D. 6	JOINT D'ÉTANCHÉITÉ D. 6	SEALING RING D. 6
36	3MH9700096	BOCCOLA INTERNA TUBO D.4	INNER TUBE BUSHING D. 4	TUBE INTÉRIEUR BAGUE D. 4	INNENROHR BUCHSE D. 4
37	3MH9700097	BOCCOLA INTERNA TUBO D.6	INNER TUBE BUSHING D. 6	TUBE INTÉRIEUR BAGUE D. 6	INNENROHR BUCHSE D. 6
38	3MH9700105	DADO DI SERRAGGIO M10 TUBO 4	NUT M10 4 TUBE	ÉCROU M10 TUYAU 4	MUTTER M10 4 ROHR
39	3MH9700103	DADO DI SERRAGGIO M10 TUBO 6	NUT M10 6 TUBE	ÉCROU M10 TUYAU 6	MUTTER M10 6 ROHR



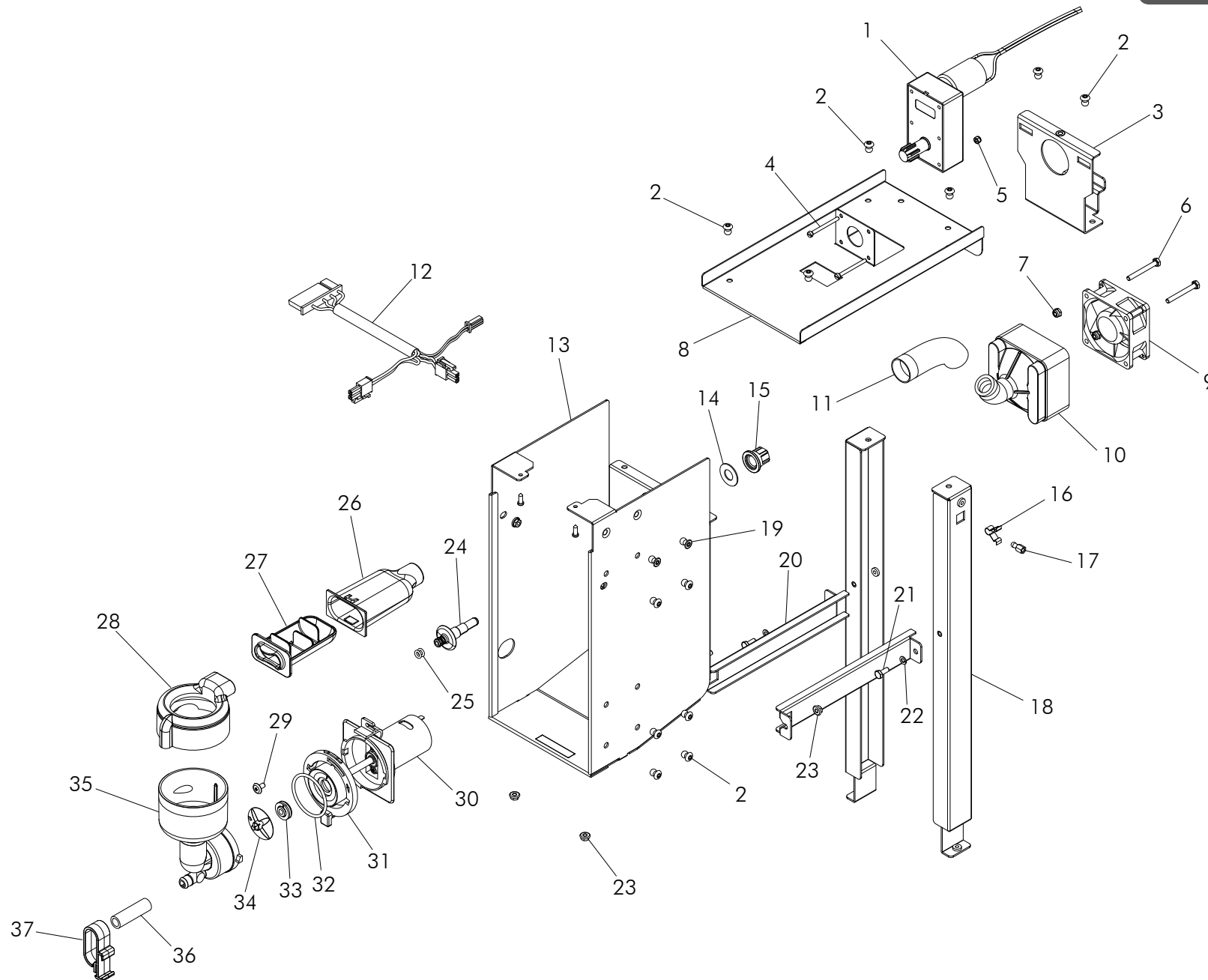
	Teflon Ø4 38	40	42	44
	Teflon Ø6 99	41	43	45

STANDARD

Pos	Code	Denominazione - IT -	Denomination - EN -	Denomination - FR -	Denomination - DE -
1	3MH9600605	ELETTROVALVOLA 230V 96.00605	SOLENOID VALVE 230V	ELECTROVANNE 230V	MAGNETVENTIL 230V
2	3MH9100192	VITE INOX TCEI M4X8 91.00192	SCREW TCEI M4X8	VIS TCEI M4X8	SCHRAUBE TCEI M4X8
3	3MH9700051NP	RACCORDO PORTAGOMMA 1/8F 97.00051.NP	CONNECTOR 1/8F	RACCORD 1/8F	ANSCHLUSS 1/8F
4	3MH9700085	RACCORDO L BICONO D.4 1/8M 97.00085	CONNECTOR D.4 1/8M	RACCORD 1/8 M D.4	ANSCHLUSS 1/8 M D.4
5	3MH2405001	SUPPORTO ELETTROVALVOLA 24.05001	SOLENOID VALVE SUPPORT	SUPPORT ELECTROVANNE	MAGNETVENTIL SUPPORT
6	3MH97000560019	RACCORDO L RAPIDO NSF D.4 1/8M	CONNECTOR 1/8 M	RACCORD 1/8 M	ANSCHLUSS 1/8 M
7	3MH2405000	SUPPORTO FISSO ELETTROVALVOLA 24.05000	SOLENOID VALVE SUPPORT	SUPPORT ELECTROVANNE	MAGNETVENTIL SUPPORT
8	3MH9700102	ANELLO DI TENUTA D.6	SEALING RING D. 6	JOINT D'ÉTANCHÉITÉ D. 6	SEALING RING D. 6
9	3MH9700103	DADO DI SERRAGGIO M10 TUBO 6	NUT M10	ÉCROU M10	MUTTER M10
10	3MH9501176	ELETTROVALVOLA 230V 95.01176	SOLENOID VALVE 230V	ELECTROVANNE 230V	MAGNETVENTIL 230V
11	3MH9700149	ADATTATORE ORIENTAMENTO D.6 1/8M	CONNECTOR D.6 1/8M	RACCORD D.6 1/8M	ANSCHLUSS D.6 1/8M
12	3MH2201257	GIGLEUR D.0,8 1/8M A PORTAGOMMA 22.01257	JET D.0,8 1/8M	GICLEUR D.0,8 1/8M	DUSE D.0,8 1/8M
13	3MH9501165	ELETTROVALVOLA 230V 95.01165	SOLENOID VALVE 230V	ELECTROVANNE 230V	MAGNETVENTIL 230V
14	3MH9700014	RACCORDO PORTAGOMMA 1/8 97.00014	CONNECTOR 1/8	RACCORD 1/8	ANSCHLUSS 1/8
15	3MH9105012	VITE INOX TE + RONDELLE M4X12 91.05012	SCREW + WASHERS M4X12	VIS + RONDELLES M4X12	SCHRAUBE + UNTERLEGSCHIEBEN M4X12
16	3MH9700108	RACCORDO T BICONO D.6 1/8M 97.00108	CONNECTOR D.6 1/8M	RACCORD D.6 1/8M	ANSCHLUSS D.6 1/8M
17	3MH1105029	SUPPORTO ELETTROVALVOLA 11.05029	SOLENOID VALVE SUPPORT	SUPPORT ELECTROVANNE	MAGNETVENTIL SUPPORT
18	3MH9501801	MANOMETRO 95.01801	PRESSURE GAUGE	MANOMÈTRE	MANOMETER
19	3MH9600883	ELETTROVALVOLA 230V 96.00883	SOLENOID VALVE 230V	ELECTROVANNE 230V	MAGNETVENTIL 230V
20	3MH1105340	SUPPORTO ELETTROVALVOLA 11.05340	SOLENOID VALVE SUPPORT	SUPPORT ELECTROVANNE	MAGNETVENTIL SUPPORT
21	3MH9700052	RACCORDO PORTAGOMMA 1/8M 97.00052	CONNECTOR 1/8M	RACCORD 1/8M	ANSCHLUSS 1/8M
22	3MH9105030	VITE INOX TE + RONDELLE M4X8 91.05030	SCREW M4X8 + WASHERS	VIS M4X8 + RONDELLES	SCHRAUBE M4X8 + UNTERLEGSCHIEBEN
23	3MH9700091	RACCORDO DRITTO BICONO D.6 1/8M 97.00091	CONNECTOR D.6 1/8M	RACCORD D.6 1/8M	ANSCHLUSS D.6 1/8M
24	3MH9700100	ADATTATORE ORIENTAMENTO D.6 1/4M	CONNECTOR D.6 1/4M	RACCORD D.6 1/4M	ANSCHLUSS D.6 1/4M
25	3MH9600203	ELETTROVALVOLA 230V 96.00203	SOLENOID VALVE 230V	ELECTROVANNE 230V	MAGNETVENTIL 230V
26	3MH9700079NP	RACCORDO PORTAGOMMA 1/4 97.00079.NP	CONNECTOR 1/4	RACCORD 1/4	ANSCHLUSS 1/4
27	3MH9100012	VITE TE ZN M4X8 91.00012	SCREW M4X8	VIS M4X8	SCHRAUBEN M4X8
28	3MH9300002	RONDELLA D.4 UNI8842 93.00002	WASHER D.4	RONDELLE D.4	SCHEIBE D.4
29	3MH9300003	ROSETTA PIANA ZN D.10 93.00003	WASHER D.10	RONDELLE D.10	SCHEIBE D.10
30	3MH9700088	RACCORDO L BICONO D.6 1/8M 97.00088	CONNECTOR D.6 1/8M	RACCORD D.6 1/8M	ANSCHLUSS D.6 1/8M
31	3MH2205052	GIGLEUR D.1,5 1/8M A PORTAGOMMA 22.05052	JET D.1,5 1/8M	GICLEUR D.1,5 1/8M	DUSE D.1,5 1/8M
32	3MH1300060	FASCETTA BIFILARE A MOLLA D.8 13.00060	CLAMP SPRING	BANDE	SHELLE
33	3MH8400005	TUBO SILICONE 10X2 84.00005	SILICONE TUBE 10X2	TUBE DE SILICONE 10 X 2	SILIKON SCHLAUCH 10 X 2
34	3MH1300070	FASCETTA BIFILARE A MOLLA X D.10	CLAMP	COLLIER	SHELLE
35	3MH1605051	GIGLEUR D. 0,8 1/8M A PORTAGOMMA INOX	JET D.0,8 1/8M	GICLEUR D.0,8 1/8M	DUSE D.0,8 1/8M
36	3MH9700161	FILTRO A DISCO D.6 X 5 97.00161	FILTER	FILTRE	FILTER
37	3MH1605049	ADATTATORE ORIENTAMENTO D.6 1/8M INOX	CONNECTOR D.6 1/8M	RACCORD D.6 1/8M	ANSCHLUSS D.6 1/8M
38	3MH8800040	TUBO TEFLON D.4 88.00040	TEFLON TUBE D.4	TUYAU TEFLON D.4	TEFLON-ROHR D.4

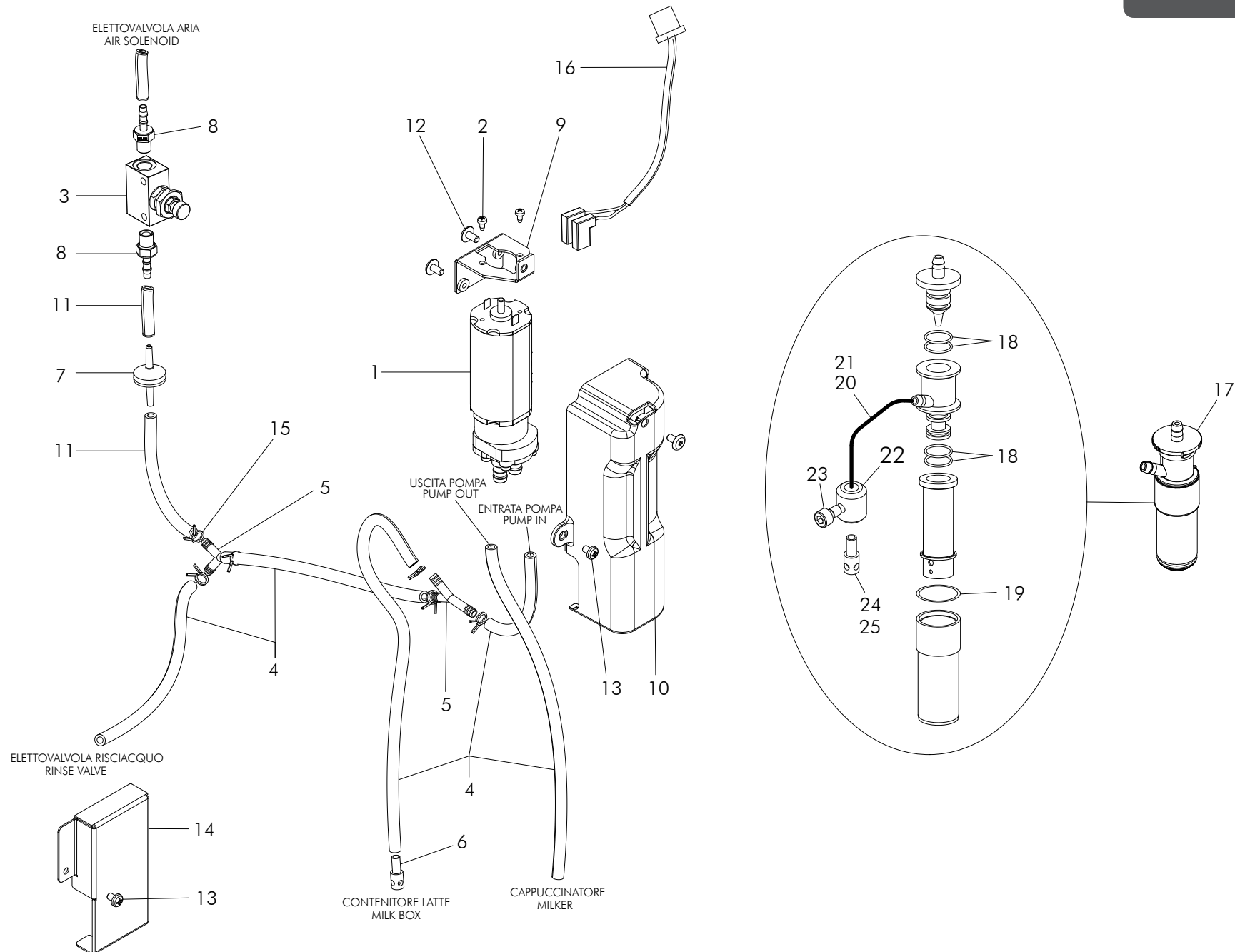
STANDARD

Pos	Code	Denominazione - IT -	Denomination - EN -	Denomination - FR -	Denomination - DE -
39	3MH8800041	TUBO TEFLON D.6 88.00041	TEFLON TUBE D.6	TUYAU TEFLON D.6	TEFLON-ROHR D.6
40	3MH9700104	ANELLO DI TENUTA D.4	SEALING RING D. 4	JOINT D'ÉTANCHÉITÉ D. 4	SEALING RING D. 4
41	3MH9700102	ANELLO DI TENUTA D.6	SEALING RING D. 6	JOINT D'ÉTANCHÉITÉ D. 6	SEALING RING D. 6
42	3MH9700096	BOCCOLA INTERNA TUBO D.4	INNER TUBE BUSHING D. 4	TUBE INTÉRIEUR BAGUE D. 4	INNENROHR BUCHSE D. 4
43	3MH9700097	BOCCOLA INTERNA TUBO D.6	INNER TUBE BUSHING D. 6	TUBE INTÉRIEUR BAGUE D. 6	INNENROHR BUCHSE D. 6
44	3MH9700105	DADO DI SERRAGGIO M10 TUBO 4	NUT M10 4 TUBE	ÉCROU M10 TUYAU 4	MUTTER M10 4 ROHR
45	3MH9700103	DADO DI SERRAGGIO M10 TUBO 6	NUT M10 6 TUBE	ÉCROU M10 TUYAU 6	MUTTER M10 6 ROHR

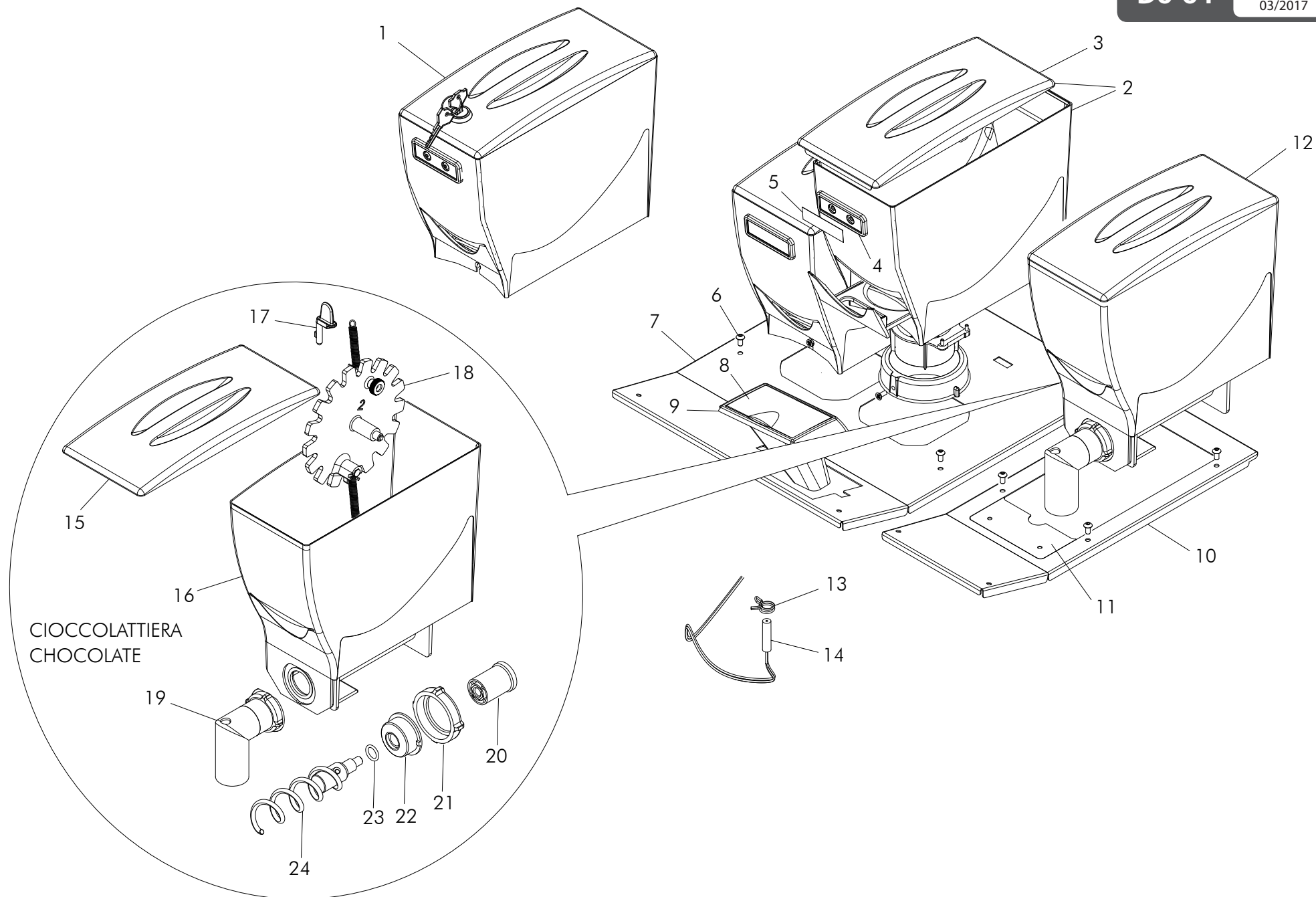


CIOCCOLATTIERA - CHOCOLATE - CHOCOLAT - SCHOKOLADE

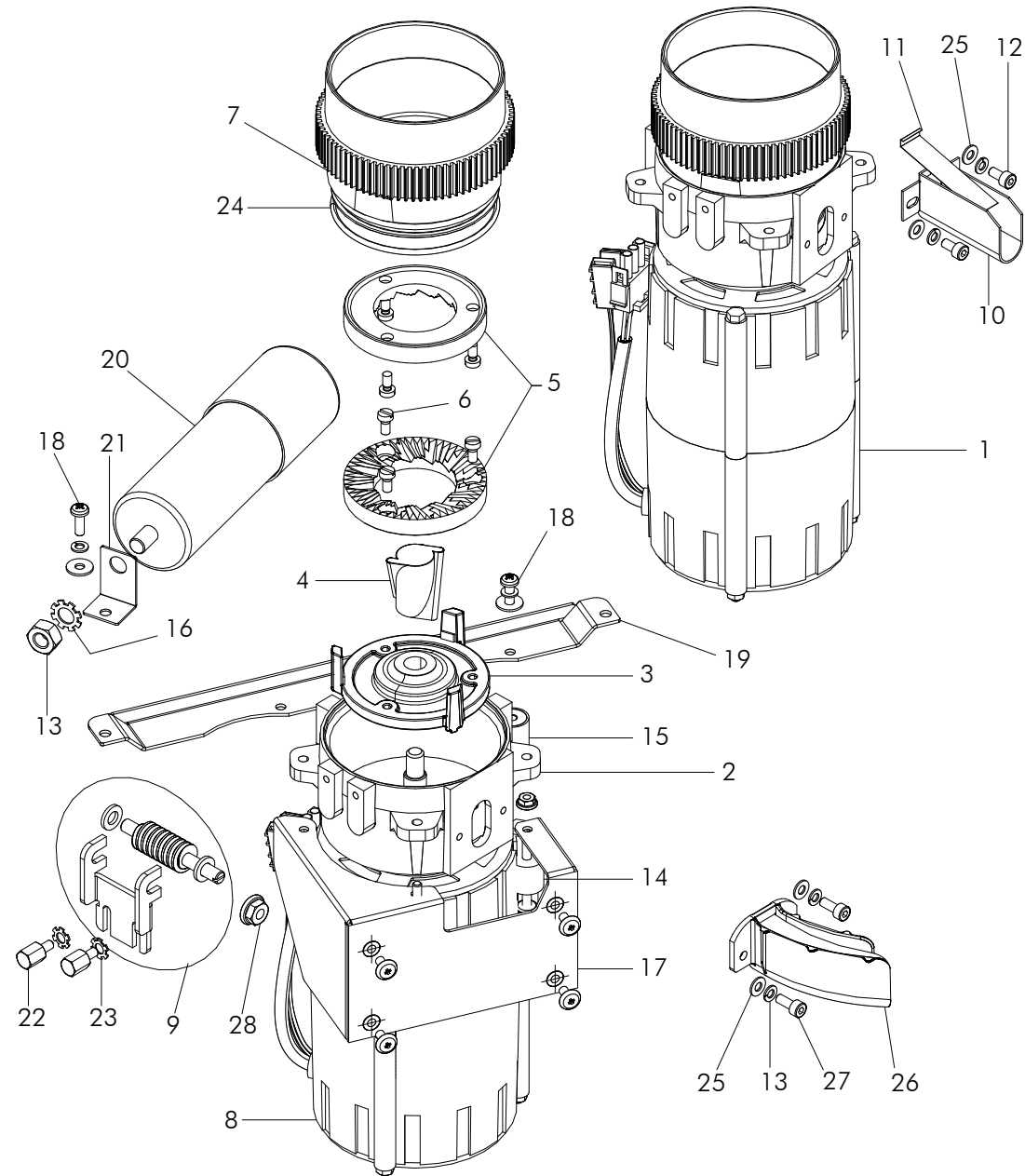
Pos	Code	Denominazione - IT -	Denomination - EN -	Denomination - FR -	Denomination - DE -
1	3MH9605005	MOTODOSATORE 24V 96.05005	BLENDER MOTOR 24V	MOTEUR MÉLANGEUR 24V	MOTOREINHEIT 24V
2	3MH9400083	RIVETTO A STRAPPO D.4,8x10 UNI 9200	RIVET D.4,8x10	RIVET D.4,8x10	NIET D.4,8x10
3	3MH1105239	SUPPORTO COPERCHIO 11.05239	COVER SUPPORT	SUPPORT COUVERCLE	ABDECKUNG HALTER
4	3MH9100075	VITE TCI M3x35 91.00075	SCREW M3X35	VIS M3X35	SCHRAUBE M3X35
5	3MH9200032	DADO AUTOBLOCCANTE M3 UNI7473 92.00032	NUT M3	ÉCROU M3	MUTTER M3
6	3MH9100181	VITE INOX TE M4X35 91.00181	SCREW M4X35	VIS M4X35	SCHRAUBE M4X35
7	3MH9200024	DADO AUTOBLOCCANTE M4 92.00024	NUT M4	ÉCROU M4	MUTTER M4
8	3MH1105241	PIASTRA SUPPORTO TRAMOGGIA 11.05241	PLATE	PLAQUE	PLATTE
9	3MH9600845CA	ASPIRATORE QUADRO 60X60X25 24V 96.00845	FAN 24V	ASPIRATEUR 24V	STAUBSAUGER 24V
10	3MH8600051L1	TUBO ASPIRATORE 86.00051.L1	FAN TUBE	TUYAU ASPIRATEUR	ROHR STAUBSAUGER
11	3MH3400001	TUBO ASPIRATORE CHOCO 34.00001	FAN TUBE	TUYAU ASPIRATEUR	ROHR STAUBSAUGER
12	3MH0305119	CABLAGGIO MODULO CHOCO 03.05119	CABLE	CÂBLAGE	VERDRAHTUNG
13	3MH1405115	FRONTALE MIXER 14.05115	PANEL	PANNEAU	PANEL
14	3MH3705120	RONDELLA INIETTORE 37.05120	DAMPER	AMORTISSEUR	DÄMPFER
15	3MH3705119	BUSSOLA FISSAGGIO INIETTORE 37.05119	BEARING	ROULEMENT	PLEUELLAGER
16	3MH9500970	MOLLA ATTACCO FIANCO 95.00970	SPRING	RESSORT	FRÜHLING
17	3MH1200040	PERNO FIANCO	PIN	BROCHE	PIN
18	3MH1105240	MONTANTE POSTERIORE 11.05240	REAR PILLAR	PILIER DE L'ARRIÈRE	HINTERE SÄULE
19	3MH9400094	RIVETTO A STRAPPO D.4,8x10 UNI 9200 94	RIVET D.4,8x10	RIVET D.4,8x10	NIET D.4,8x10
20	3MH1105242	TRAVERSA TELAIO 11.05242	STUD	GOUJON	GESTÜT
21	3MH9100064	VITE A TESTA ESAGONALE M4X10 91.00064	SCREW M4X10	VIS M4X10	SCHRAUBE M4X10
22	3MH9300037	ROSETTA ELASTICA INOX D.4 93.00037	DAMPER	AMORTISSEUR	DÄMPFER
23	3MH9200018	DADO FLANGIATO M4 92.00018	NUT M4	ÉCROU M4	MUTTER M4
24	3MH3705118	INIETTORE MIXER 37.05118	INJECTOR MIXER	INJECTEUR MIXER	INJEKTOR MIXER
25	3MH8700086	GUARNIZIONE OR2018 87.00086	GASKET OR2018	JOINT OR2018	DICHTUNG OR2018
26	3MH3700827	CAMERA COLLETTORE 37.00827	COLLECTOR'S ROOM	SALLE DU COLLECTEUR	SAMMLER ZIMMER
27	3MH3700828	COLLETTORE SUPERIORE 37.00828	COLLECTOR	COLLECTOR	SAMMLER
28	3MH9501747	IMBUTO ASPIRAZIONE 95.01747	FUNNEL	ENTONNOIR	TRICHTER
29	3MH1400454	VITE SPECIALE M4x8 14.00454	SCREW M4X8	VIS M4X8	SCHRAUBE M4X8
30	3MH9600757CA	MOTOFRULLATORE 24V 96.00757.CA	MOTOR BLENDER	MOTEUR MÉLANGEUR	MOTORMIXER
31	3MH9501760	ASSIEME GHIERA FISSAGGIO 95.01760	RING NUT	BAGUE	RINGMUTTER
32	3MH8700172	GUARNIZIONE FLANGIA 87.00172	GASKET	JOINT	DICHTUNG
33	3MH9501855	GUARNIZIONE INTERNA 95.01855	GASKET	JOINT	DICHTUNG
34	3MH9501761	VENTOLINA CORPO 95.01761	FAN	VENTILATEUR	VENTILATOR
35	3MH9501762L1	VASCETTA CORPO 95.01762.L1	BASIN	CUVE	BECKEN
36	3MH8400033	TUBO SILICONE 12 X 2,25 84.00033	SILICONE TUBE 12 X 2.25	TUBE DE SILICONE 12 X 2,25	SILIKONSCHLAUCH 12 X 2,25
37	3MH3705158	GUIDA TUBO UNITA' 1 37.05158	TUBES GUIDE	GUIDE TUYAU	ROHR REISEFÜHRER



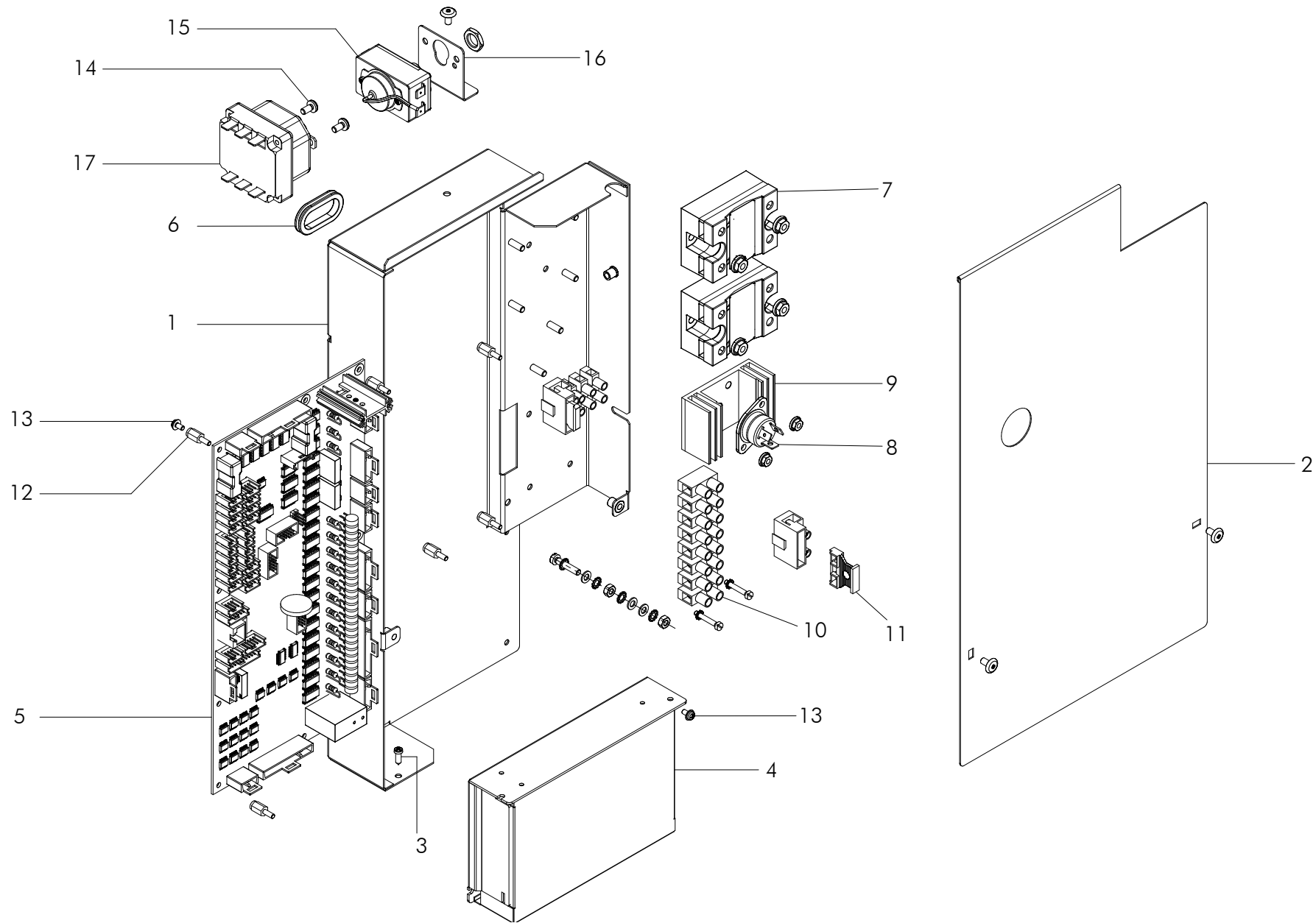
Pos	Code	Denominazione - IT -	Denomination - EN -	Denomination - FR -	Denomination - DE -
1	3MH9605319	POMPA LATTE 24V 96.05319	MILK PUMP 24V	POMPE LAIT 24V	MILCHPUMPE 24V
2	3MH9100227	VITE AUTOFILETTANTE 3X8 UNI10227	SCREW 3X8 UNI10227	VIS 3 X 8 UNI10227	SCHRAUBE 3 X 8 UNI10227
3	3MH9705009	REGOLATORE ARIA 97.05009	AIR REGULATOR	RÉGULATEUR AIR	DRUCKREGLER
4	3MH8400030	TUBO SILICONE 7x1,5	SILICONE TUBE 7X1 .5	TUYAU SILICONE 7 X 1.5	SILIKONSCHLAUCH 7 X 1.5
5	3MH9700111	RACCORDO NYLON Y D.6 97.00111	FITTING NYLON Y D. 6	RACCORD NYLON Y D. 6	ANSCHLUSS NYLON Y D. 6
6	3MH1600034	PESCANTE D.4 16.00034	TUBE D.4	TUYAU D.4	ROHR D.4
7	3MH9705017	VALVOLA NON RITORNO CIRCUITO MILKER	NON-RETURN VALVE	CLAPET ANTI-RETOUR	RÜCKSCHLAGVENTIL
8	3MH9705013	RACCORDO PORTAGOMMA 1/8 NYLON 97.05013	FITTING NYLON 1/8	RACCORD NYLON 1/8	ANSCHLUSS NYLON 1/8
9	3MH1105159	SUPPORTO POMPA LATTE 11.05159	MILK PUMP SUPPORT	SUPPORT POMPE LAIT	MILCH PUMPE UNTERSTÜTZUNG
10	3MH3705155	CARTER POMPA LATTE 37.05155	SUMP PUMP MILK	CARTER POMPE	PUMPE CARTER
11	3MH8400016	TUBO SILICONE 7X2 84.00016	SILICONE TUBE 7 X 2	TUBE SILICONE 7 X 2	SILIKON SCHLAUCH 7 X 2
13	3MH9100274	VITE INOX TC CROCE M4X6 91.00274	SCREW M4X6	VIS M4X6	SCHRAUBE M4X6
14	3MH1105367	CARTER GUIDA TUBI 11.05367	CARTER GUIDE TUBES	CARTER TUBES	CARTER FÜHRUNGSRÖHRCHEN
15	3MH1305003	FASCETTA BIFILARE A MOLLA D.8 13.05003	CLAMP D.8	BANDE D.8	SHELLE D.8
16	3MH0305132	CABLAGGIO ALIMENTAZIONE POMPA LATTE	CABLE	CÂBLAGE	KABELUNG
17	3MH0101207	CAPPUCCINATORE 01.01207	MILK FROTHER	CAPPUCCINO	CAPPUCCINO
18	3MH8705007	GUARNIZIONE ORING 87.05007	GASKET ORING	JOINT ORING	ORING DICHTUNG
19	3MH8705009	GUARNIZIONE ORING 87.05009	GASKET ORING	JOINT ORING	ORING DICHTUNG
20	3MH8400016	TUBO SILICONE 7X2 84.00016	SILICONE TUBE 7 X 2	TUBE SILICONE 7 X 2	SILIKON SCHLAUCH 7 X 2
21	3MH8400030	TUBO SILICONE 7x1,5	SILICONE TUBE 7 X 1.5	TUBE SILICONE 7 X 1.5	SILIKON SCHLAUCH 7 X 1.5
22	3MH3700415	STROZZATORE MILKER 37.00415	BOTTLENEK MILK	ÉTOUFFEMENT DE LAIT	ERSTICKEN MILCH
23	3MH3700707	REGOLATORE FLUSSO LATTE 37.00707	FLOW REGULATOR	RÉGULATEUR DÉBIT LAIT	MILCH DURCHFUSSREGLER
24	3MH1600034	PESCANTE D.4 16.00034	TUBE D.4	TUYAU D.4	ROHR D.4
25	3MH1600126	PESCANTE D.3 16.00126	TUBE D.3	TUYAU D.3	ROHR D.3



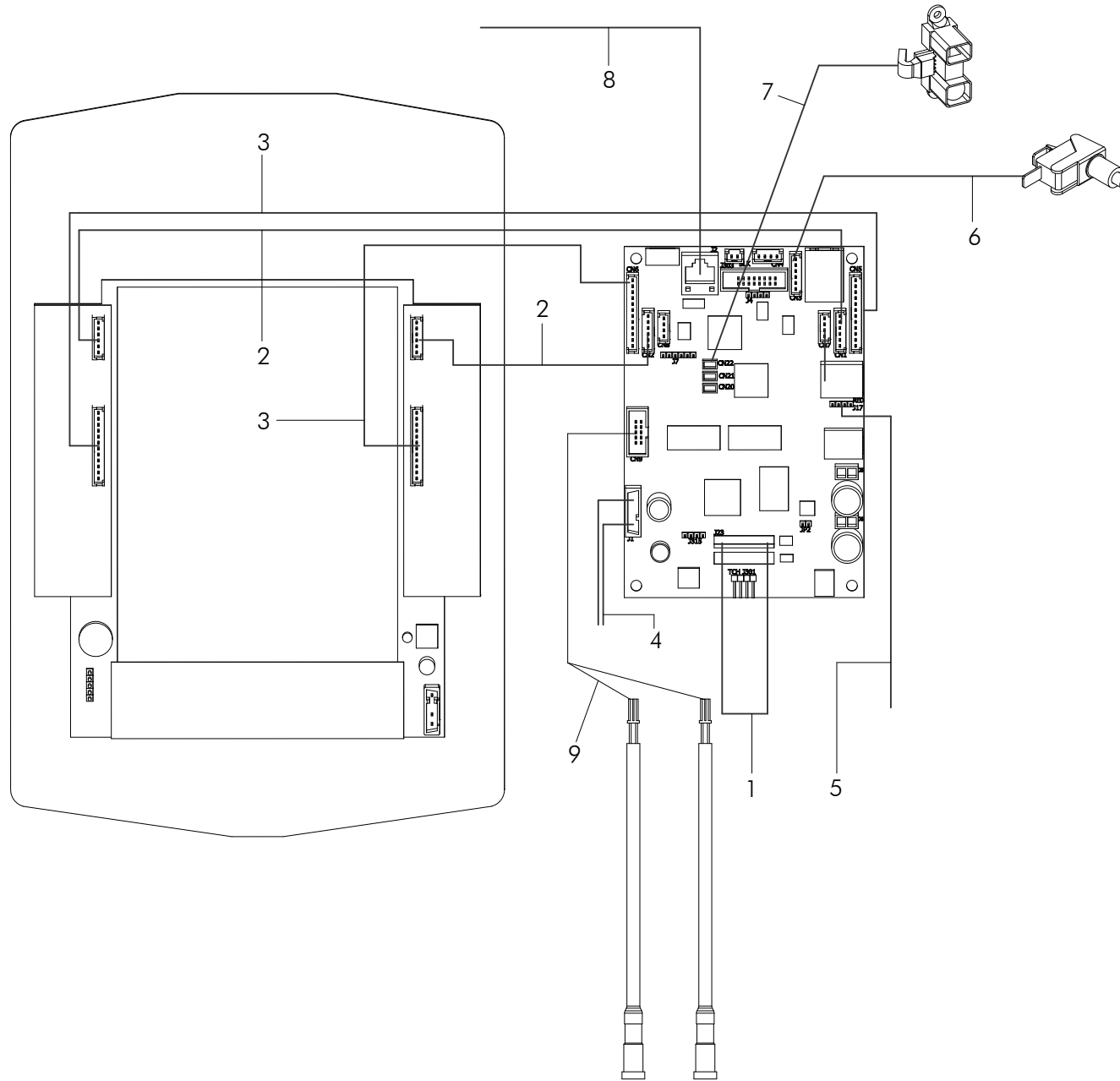
Pos	Code	Denominazione - IT -	Denomination - EN -	Denomination - FR -	Denomination - DE -
1	3MH0105114	ASSIEME TRAMOGGIA GRIGIA + SERRATURA	COFFEE GRINDER HOPPER + LOCK	TRÉMIE + SERRURE	TRICHTER + SPERRE
2	3MH0105059	ASSIEME TRAMOGGIA GRIGIA	COFFEE GRINDER HOPPER	TRÉMIE	TRICHTER
3	3MH3700766S12	COPERCHIO TRAMOGGIA 37.00766.S12	COVER	COUVERCLE	ABDECKPLANE
4	3MH3705022	CORNICE ETICHETTA TRAMOGGIA 37.05022	FRAME LABEL	CADRE	FRAME-LABEL
5	3MH3305010	KIT MOSTRINE ADESIVE PER TRAMOGGE	LABEL SELF ADHESIVE	ÉTIQUETTE AUTO ADHÉSIFS	LABEL
6	23652002	VITE TBCE INOX 4x8	SCREW M4X8	VIS M4X8	SCHRAUBE M4X8
7	77488629	COPERTURA SUPERIORE	STEEL SCREW TBCE 4x8	VIS INOX TBCE 4x8	STAHLSCHRAUBE TBCE 4x8
8	3MH3700813	COPERCHI PER CASSETTI DECA	TOP COVER	CAPOT SUPÉRIEUR	OBERE ABDECKUNG
9	15020137	SUPPORTO SCIVOLO DECA	SLIDE SUPPORT DECA	FAITES GLISSER LE SUPPORT DECA	FOLIE UNTERSTÜTZUNG DECA
10	77488639	COPERTURA SUPERIORE MODULO	VALVE FEMALE WATER TANK	SOUPAPE FEMELLE CUVE EAU	VENTIL NUT WASSERTANK
11	77488640	TAMPONAMENTO COPERTURA MODULO	TOP COVER	CAPOT SUPÉRIEUR	OBERE ABDECKUNG
12	3MH0105039	ASS. CONTENITORE PRODOTTO 01.05039	COVERAGE	COUVERTURE	ABDECKUNG
13	3MH1300073	FASCETTA BIFILARE A MOLLA D.12 13.00073	CLAMP	COLLIER	SHELLE
14	3MH9605076L2	SENSORE PRESENZA 96.05076.L2	SENSOR	CAPTEUR	SENSOR
15	3MH3700808	COPERCHIO CONTENITORE 37.00808	COVER	COUVERCLE	ABDECKPLANE
16	3MH9605005	MOTODOSATORE PLASTICA 24V 96.05005	BLENDER MOTOR 24V	MOTEUR MÉLANGEUR 24V	MOTOREINHEIT 24V
17	3MH3700814	FERMO RUOTA CONTENITORE 3700814	WHEEL LATCH	VERROU ROUE	RAD-HALTER
18	3MH9505001	RUOTA DENTATA + MOLLE 30 MM 95.05001	WHEEL + SPRING	ROUE + RESSORT	RAD + FEDER
19	3MH9501677L1	PIPA CENTRALE 38X53 CON FORO 95.01677.L1	TUBE 38X53	TUYAU 38X53	ROHR 38X53
20	3MH9501836	NOTTOLINO FILETTATO CONTENITORE PRODOTTO	TUBE	TUYAU	ROHR
21	3MH9501849	GHIERA CONTENITORE 95.01849	RING NUT	BAGUE	RINGMUTTER
22	3MH9501848	FLANGIA CONTENITORE 95.01848	FLANGE	BRIDE	FLANSCH
23	3MH8705007	GUARNIZIONE ORING 87.05007	GASKET OR	JOINT OR	DICHTUNG OR
24	3MH9505000	COCLEA IN FILO + GUARNIZIONE OR 108	COCHLEA + GASKET	COCHLÉE + JOINT	SCHNECKE + DICHTUNG



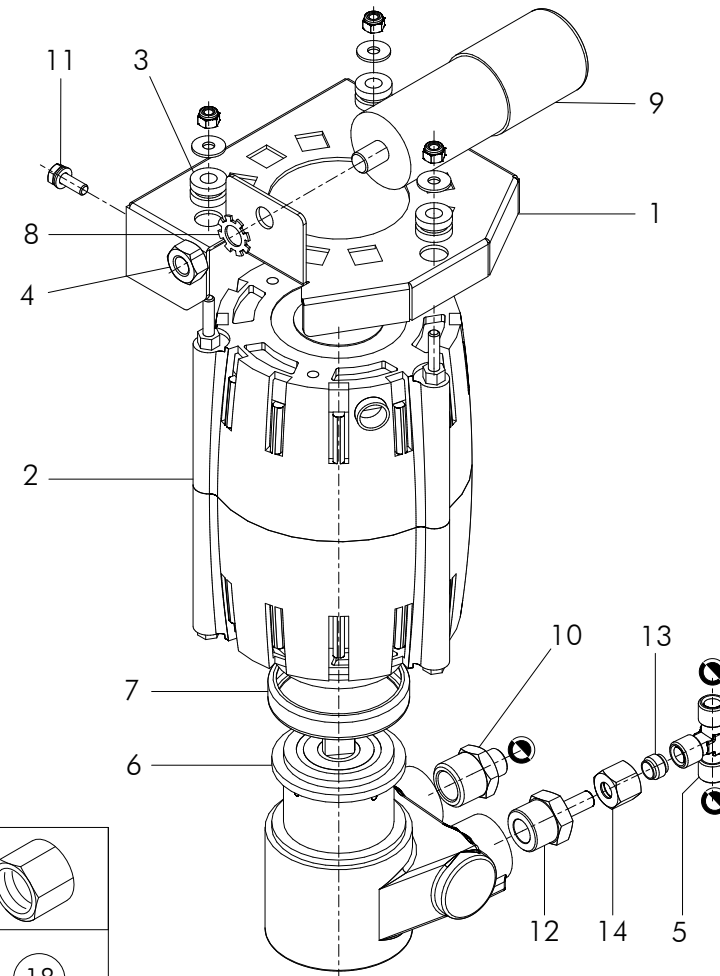
Pos	Code	Denominazione - IT -	Denomination - EN -	Denomination - FR -	Denomination - DE -
1	3MH01052520018	ASSIEME MACININO 200/230V 01.05252.00.18	GRINDER ASSEMBLY 200/230V	MOULIN 200/230V	KAFFEEMUHLE 200/230V
2	3MH2400140L3	CORPO MACININO 24.00140.L3	GRINDER BODY	CORPS MOULIN	KAFFEEMUHLE-KÖRPER
3	3MH2400139L1	PORTA MACINE D.63 24.00139.L1	MILLSTONE SUPPORT	SUPPORT MEULE	MUHLSTEIN SUPPORT
4	3MH2400141L1	COCLEA CAFFE' MACININO 24.00141.L1	COCHLEA	COCHLÉE	SCHNECKE
5	3MH9500404	COPPIA DI MACINE 95.00404	PAIR MILLSTONES	PAIRE MEULES	PAAR MÜHLSTEINEN
6	3MH9100194	VITE M4X6 91.00194	RING NUT	BAGUE	RINGMUTTER
7	3MH2400138L3	GHIERA 24.00138.L3	RING NUT	BAGUE	RINGMUTTER
8	3MH96006410018	MOTORE ELETTRICO 200/230V 96.00641.00.18	ELECTRIC MOTOR 200/230V	MOTEUR ÉLECTRIQUE 200/230V	ELEKTROMOTOR 200/230V
9	3MH0100878	ASSIEME REGOLAZIONE 01.00878	ADJUSTMENT ASSEMBLY	ENSEMBLE DE RÉGLAGE	EINSTELLUNG MONTAGE
10	3MH1401524	BOCCHETTA 14.01524	NOZZLE	BUSE	DÜSE
11	3MH1300046	MOLLA PER BOCCHETTA 13.00046	SPRING	RESSORT	FEDER
12	3MH9100192	VITE INOX TCEI M4X8 91.00192	SCREW M4X8	VIS M4X8	SCHRAUBE M4X8
13	3MH9200001	DADO ZN M8 92.00001	NUT M8	ÉCROU M8	MUTTER M8
14	3MH9501171	VIBROSTOP 95.01171	DAMPER	AMORTISSEUR	DÄMPFER
15	3MH9501531	VIBROSTOP 95.01531	DAMPER	AMORTISSEUR	DÄMPFER
16	3MH9300004	RONDELLA DENTATA D.8 93.00004	WASHER D 8	RONDELLE D.8	SCHEIBE D.8
17	3MH1105333	SUPPORTO MACININO 11.05333	GRINDER SUPPORT	SUPPORT MEULEUSE	MÜHLE-UNTERSTÜTZUNG
18	3MH9105012	VITE INOX TE + RONDELLE M4X12 91.05012	SCREW + WASHERS M4X12	VIS + RONDELLES M4X12	SCHRAUBE + UNTERLEGSCHLEIBEN M4X12
19	3MH1105033	SUPPORTO POSTERIORE MACININO 11.05033	BACK SUPPORT GRINDER	SUPPORT MEULEUSE	RÜCKENLEHNE MÜHLE
20	3MH9600150	CONDENSATORE 16UF 96.00150	CAPACITOR 16UF	CONDENSATEUR 16UF	KONDENSATOR 16UF
21	3MH1101104	SUPPORTO FILTRO ANTIDISTURBO 11.01104	NOISE FILTER SUPPORT	SUPPORT DE FILTRE DE BRUIT	NOISE FILTER UNTERSTÜTZUNG
22	3MH1605012	COLONNINA 16.05012	COLUMN	COLONNE	SPALTE
23	3MH9300002	RONDELLA D.4 UNI8842 93.00002	WASHER D 4	RONDELLE D.4	SCHEIBE D.4
24	3MH8705004	GUARNIZIONE OR3275 VITON 60SH 87.05004	GASKET OR-3275	JOINT OR-3275	DICHTUNG OR-3275
25	3MH9300052	RONDELLA INOX PIANA D.4 UNI6592 93.00052	WASHER D 4	RONDELLE D.4	SCHEIBE D.4
26	3MH3705116	BOCCHETTA CAFFE? CURVA 37.05116	NOZZLE	BUSE	DÜSE
27	3MH9100189	VITE INOX TCEI M 4X10 91.00189	SCREW M4X10	VIS M4X10	SCHRAUBE M4X10
28	3MH9200019	DADO FLANGIATO ZN M6 92.00019	NUT M6	ECROU M6	MUTTER M6




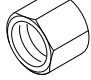



Pos	Code	Denominazione - IT -	Denomination - EN -	Denomination - FR -	Denomination - DE -
1	3MH1105334	SCATOLA ALIMENTATORE 11.05334	BOX FEEDER	BOÎTE CHARGEUR	KASTENBESCHICKER
2	3MH1105335	COPERCHIO SCATOLA CENTRALINA 11.05335	COVER ELECTRONIC UNIT	COUVERTURE ÉLECTRONIQUE UNITÉ	ELEKTRONISCHE GERÄT ABDECKEN
3	3MH9100267	VITE CILINDRICA 3,5X10 ZB 91.00267	SCREW 3, 5 X 10	VIS 3, 5 X 10	SCHRAUBE 3, 5 X 10
4	3MH9605295	ALIMENTATORE 100W 24V 96.05295	POWER SUPPLY 100W 24V	BLOC D'ALIMENTATION 100W 24V	NETZTEIL 100W 24V
5	3MH9600841	SCHEDA MASTER	MASTER CARD	MASTER CARD	MASTER CARD
6	3MH3900024	PASSACAVO 39.00024	CABLE ROUTING	ROUTAGE DE CÂBLE	KABELFÜHRUNG
7	3MH9605299	RELE STATICO	STATIC RELAY	RELAIS STATIQUE	STATISCHE RELAIS
8	3MH9600843	TRIAC	TRIAC	TRIAC	TRIAC
9	3MH9501439	DISSIPATORE PER TRIAC 95.01439	HEATSINK FOR TRIAC	RADIATEUR POUR TRIAC	KÜHLKÖRPER FÜR TRIAC
10	3MH9501030	MORSETTIERA 8 POLI 95.01030	TERMINAL BLOCK	BORNIER	KLEMMLEISTE
11	3MH9600410	MORSETTO PER FUSIBILI 5X20 96.00410	CLAMP FOR FUSES	PINCE POUR FUSIBLES	KLEMMEN FÜR SICHERUNGEN
12	3MH3700430	DISTANZIALE CENTRALINA 37.00430	SPACER UNIT	ENTRETOISE UNITÉ	ABSTANDHALTER-EINHEIT
13	3MH9100263	VITE M3X6 + RONDELLA PIANA 91.00263	SCREW M3X6 + FLAT WASHER	VIS M3X6 + PLATE RONDELLE	SCHRAUBE M3X6 + FLACHE UNTERLEGSCHNEIBE
14	3MH9100186	VITE INOX TE M 4X6 91.00186	SCREW M 4 X 6	VIS M 4 X 6	SCHRAUBE M 4 X 6
15	3MH9605154	TERMOSTATO SICUREZZA MONOFASE	SAFETY THERMOSTAT	THERMOSTAT DE SÉCURITÉ	SICHERHEITS-THERMOSTAT
16	3MH1105344	SQUADRETTA SUPPORTO TERMOSTATO 11.05344	SUPPORT	SUPPORT	SUPPORT
17	3MH9501594	TERMOSTATO SICUREZZA TRIFASE	SAFETY THERMOSTAT	THERMOSTAT DE SÉCURITÉ	SICHERHEITS-THERMOSTAT

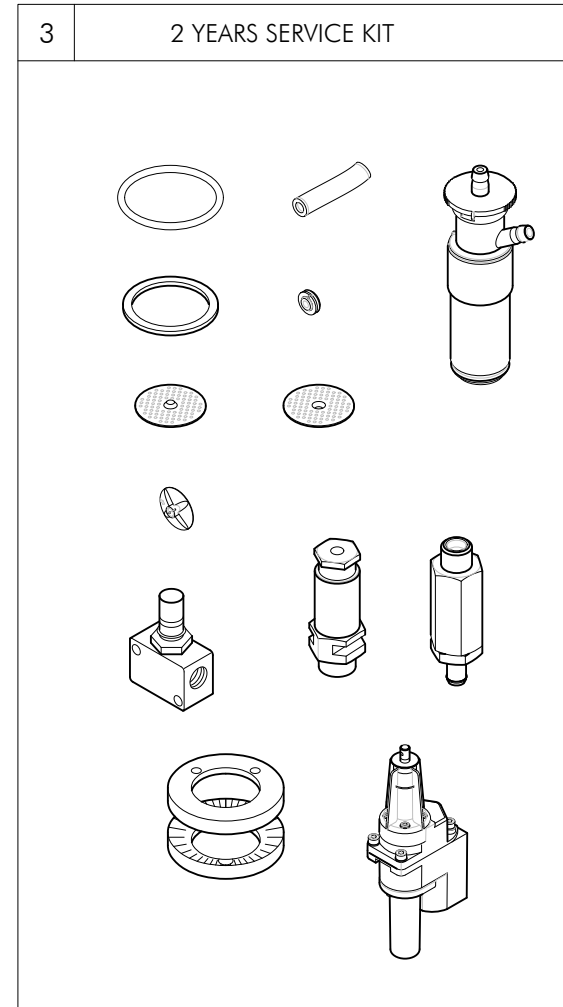
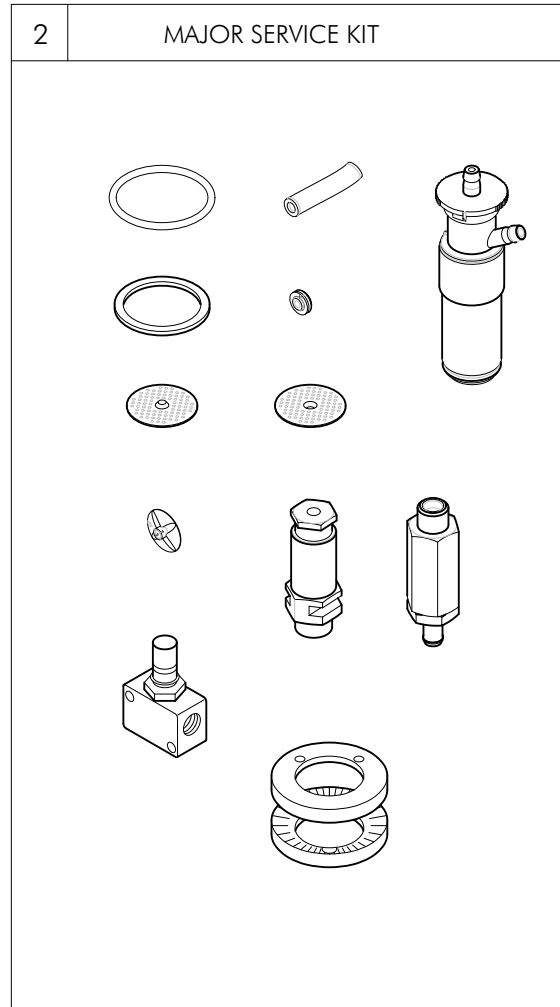
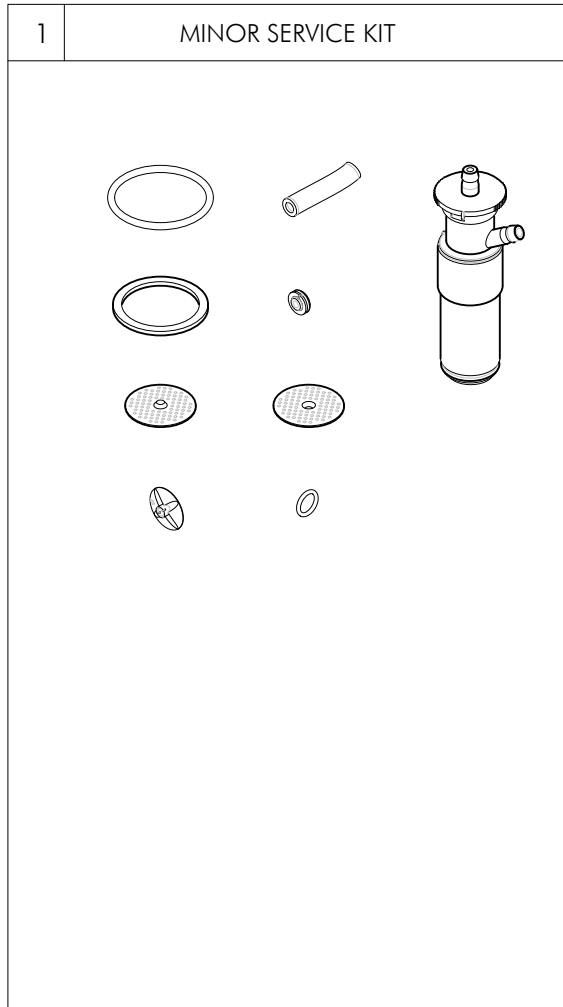


Pos	Code	Denominazione - IT -	Denomination - EN -	Denomination - FR -	Denomination - DE -
1	3MH9600896	CAVO FLAT 40 POLI 127MM 96.00896	CABLE 40P	CÂBLAGE 40P	KABEL 40P
2	3MH0305011	CABLAGGIO TASTI SELEZIONE 03.05011	BUTTONS CABLE	CÂBLAGE TOUCHES	VERDRAHTUNG KABEL
3	3MH0305012	CABLAGGIO LED TASTI SELEZIONE 03.05012	LED CABLE	CÂBLAGE LED	LED KABEL
4	3MH0305090	CABLAGGIO ALIMENTAZIONE DISPLAY 03.05090	POWER CABLE	CÂBLAGE ALIMENTATION	POWER KABELUNG
5	3MH0305016	CABLAGGIO USB 03.05016	USB CABLE	CÂBLAGE USB	USB KABEL
6	3MH0305050	CABLAGGIO MICROINTERUTTORE 03.05050	MICROSWITCH CABLE	CÂBLAGE MICROSWITCH	MIKROSCHALTER VERDRAHTUNG
7	3MH0305017	CABLAGGIO SENSORE PERSONA 03.05017	SENSOR CABLE	CÂBLAGE CAPTEUR	SENSORVERDRAHTUNG
8	3MH9600854	CAVO TRASMISSIONE DATI 1MT 96.00854	DATA TRANSMISSION CABLE	CÂBLE TRANSMISSION DONNÉES	DATENÜBERTRAGUNGSKABEL
9	3MH0305026	CABLAGGIO LED ILLUMINAZIONE TAZZE	LIGHTS CABLE	CÂBLAGE ALLUME	VERKABELUNG LED



				
	Teflon Ø6 15	16	17	18

Pos	Code	Denominazione - IT -	Denomination - EN -	Denomination - FR -	Denomination - DE -
1	3MH1105337	SUPPORTO MOTOPOMPA 11.05337	PUMP SUPPORT	SUPPORT POMPE	PUMPE FEUERUNTERSTÜTZUNG
2	3MH96003930018	MOTORE POMPA 150W 230V UL	PUMP MOTOR 150W 230V UL	POMPE MOTEUR 150W 230V UL	PUMPE MOTOR 150W 230V UL
3	3MH9501465	GOMMINO ANTIVIBRANTE 95.01465	ANTIVIBRATION RUBBER	ANTI-VIBRATIONS	SCHWINGUNGSDÄMPFENDE
4	3MH9200048	DADO M8 92.00048	NUT M8	ECROU M8	MUTTER M8
5	3MH9700101	RACCORDO T BICONO D.6 97.00101	CONNECTOR D.6	RACCORD D.6	ANSCHLUSS D.6
6	3MH97000190019	POMPA 50 LT/H	50 L/H PUMP	50 L/H POMPE	50 L/H PUMPE
7	3MH9501825	FASCETTA POMPA ROTAZIONE 50/100 L	CLAMP	COLLIER	SHELLE
8	3MH9300004	RONDELLA DENTATA D.8 93.00004	WASHER D.8	RONDELLE D.8	FEDERSCHEIBE D.8
9	3MH9600533	CONDENSATORE 6MF 96.00533	CAPACITOR 6MF	CONDENSATEUR 6MF	KONDENSATOR 6MF
10	3MH9700143	RACCORDO DRITTO BICONO D.6 3/8M 97.00143	CONNECTOR D.6 3/8M	RACCORD D.6 3/8M	ANSCHLUSS D.6 3/8M
11	3MH9105012	VITE INOX TE + RONDELLE M4X12 91.05012	SCREW + WASHERS M4X12	VIS + RONDELLES M4X12	SCHRAUBE + UNTERLEGSCHNEIBEN M4X12
12	3MH2205021	ADATTATORE ORIENTAMENTO 3/8 D.6 22.05021	CONNECTOR D.6 3/8M	RACCORD D.6 3/8M	ANSCHLUSS D.6 3/8M
13	3MH9700102	ANELLO DI TENUTA D.6	SEALING RING D. 6	JOINT D'ÉTANCHÉITÉ D. 6	SEALING RING D. 6
14	3MH9700103	DADO DI SERRAGGIO M10 TUBO 6	NUT M10 6 PIPE	ÉCROU M10 6 PIPE	MUTTER M10 6 ROHR
15	3MH8800041	TUBO TEFLON D.6 88.00041	TUBE TEFLON D. 6	TUYAU TEFLON D.6	ROHR TEFLON D.6
16	3MH9700102	ANELLO DI TENUTA D.6	SEALING RING D. 6	JOINT D'ÉTANCHÉITÉ D. 6	SEALING RING D. 6
17	3MH9700097	BOCCOLA INTERNA TUBO D.6	INNER TUBE BUSHING D. 6	TUBE INTÉRIEUR BAGUE D. 6	INNENROHR BUCHSE D. 6
18	3MH9700103	DADO DI SERRAGGIO M10 TUBO 6	NUT M10 6 TUBE	ÉCROU M10 TUYAU 6	MUTTER M10 6 ROHR



Pos	Code	Denominazione - IT -	Denomination - EN -	Denomination - FR -	Denomination - DE -
1	83010062R	MINOR SERVICE KIT	MINOR KIT DRIVE 6000	MINOR SERVICE KIT	MINOR SERVICE KIT
2	83010063R	MAJOR SERVICE KIT	MAJOR KIT DRIVE 6000	MAJOR SERVICE KIT	MAJOR SERVICE KIT
3	83010064R	2 ANNI SERVICE KIT	2 YEARS SERVICE KIT	2 ANNEE SERVICE KIT	2 JAHRE SERVICE KIT